

INSTALLATION INSTRUCTIONS

---

# ES-EL400



# HSEQ REGULATIONS

Read all instructions carefully before attempting this procedure. If you have any questions about your ability to complete this procedure, contact ESWINDOWS for further direction.

If swing stages are required for installation, the HSEQ inspector must approve the permissions.

- Wear the necessary personal protective equipment for product installation.
- Take safety precautions when performing the activity.
- Please follow the steps and make sure you have appropriate personal protective equipment and follow the rules established by the guidance for working at height, if required to do so.

## IMPORTANT:

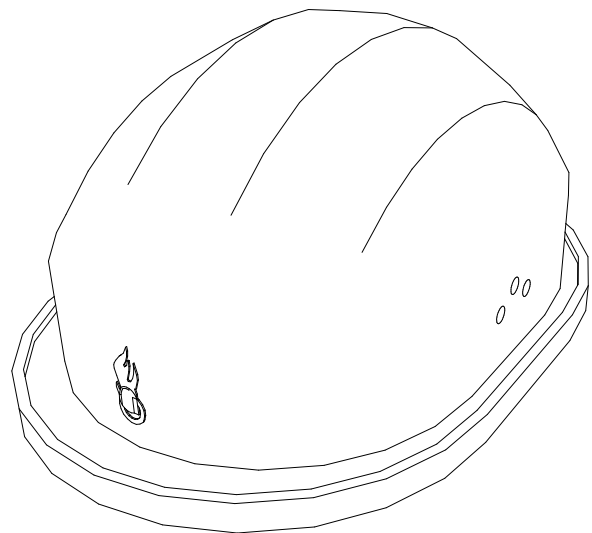
Contractors must have and execute an adequate QA/QC policy to guarantee the product installation is within industry standards and ESW guidelines. Once the product is received in acceptance by the contractor, any damage or installation problems are no longer responsibility of ESWINDOWS.

# INTRODUCTION

ES-EL400, Elite sliding glass door system.

This guide illustrates step by step how to install the system properly.

Prior to installation process check that all parts and materials are in right conditions, verify that the quantities and descriptions match production drawings.



# INSTALLATION INSTRUCTIONS

TOOLS AND SUPPLIES REQUIRED FOR INSTALLATION.....Page. 2

PARTS REQUIRED FOR INSTALLATION.....Page. 3-4

INSTALLATION

STEP 1  
INSPECTION AND VERIFICATION.....Page. 5-6

STEP 2  
FRAME ASSEMBLY .....Page. 7-8

STEP 3  
FRAME INSTALLATION .....Page. 9-10

STEP 4  
INSTALLATION OF COVERS AND FIXED PANEL CLIP.....Page. 11-12

STEP 5  
INSTALLATION OF PILE PADS.....Page. 13-14

STEP 6  
INSTALLATION OF SGD-1600 BUMPER.....Page. 15

STEP 7  
PANELS PREPARATION.....Page. 16

STEP 8  
INSTALL PANELS.....Page. 17-19

STEP 9  
INSTALLATION OF SILL RISER (ONLY IF REQUIRED).....Page. 20

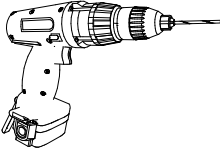

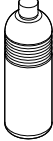
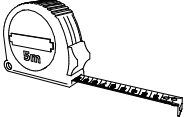

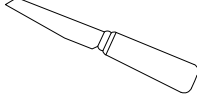
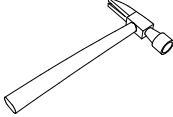
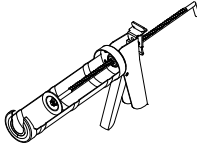
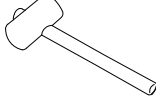
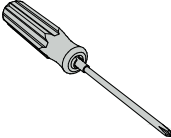

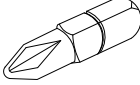
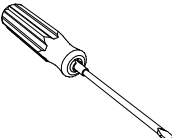
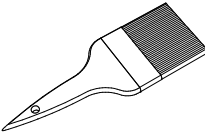
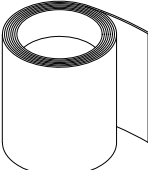
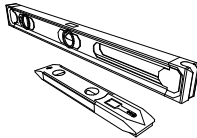
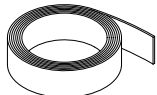
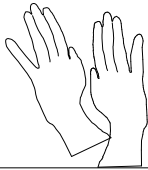
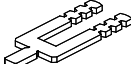
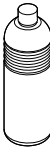

STEP 10  
INSTALL ACCESSORIES .....Page. 21-27

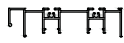

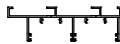



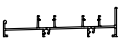
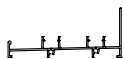
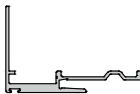

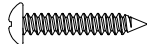


STEP 11  
SCREEN INSTALLATION.....Page. 28

STEP 12  
PERIMETER SEAL.....Page. 29





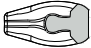





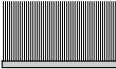
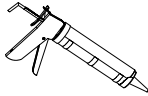
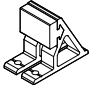
REVIEW





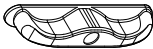
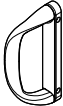
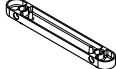
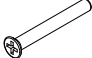




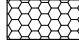

## TOOLS AND SUPPLIES FOR INSTALLATION

Detail	Description	Detail	Description	Detail	Description
	Drill		Plumb		Thinner
	Measure tape		Thread		Knife
	Hammer		Industrial Silicone gun		Mallet
	Phillips screwdriver		Bits for concrete		Point
	Slot screwdriver		Brush		Clean rag
	Level		Masking tape		Safety gloves
	Plastic shims		Isopropyl alcohol		Safety glasses

<b>PARTS REQUIRED FOR INSTALLATION</b>		
<b>PART</b>	<b>DETAIL</b>	<b>DESCRIPTION</b>
ES-EL400-001		Head
ES-EL400-002		Sill
ES-EL400-003		Jamb
ES-EL400-201		Head Three track
ES-EL400-202		Sill three track
ES-EL400-203		Jamb three track
ES-EL400-402		Low sill
ES-EL400-401		Optional Sill
ES-EL400-015		Pocket jamb
ES-EL400-017		Head cover
#10 x 1-1/4" PH		Assembly screw
ES-6011		Jamb cover
ES-EL400-014		Jamb cover

# INSTALLATION INSTRUCTIONS

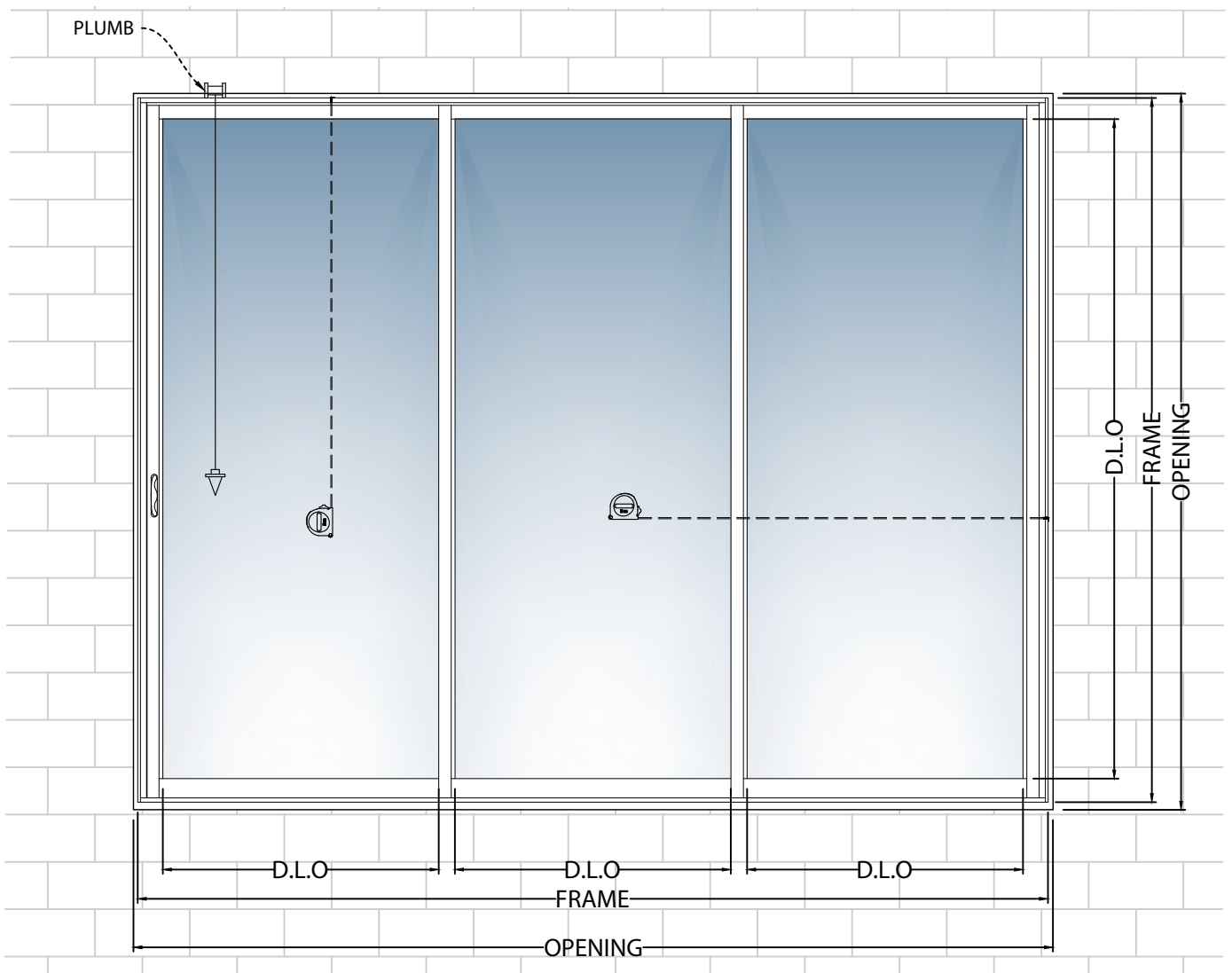
ES-EL400-016		Sill cover
ES-SGD2020-008		Sill Riser
ES-EL400-FP1		Fixed panel clip
PS01-0014		Handle set
6844.1		Bumper
#10 x 3/4" F.H. S.M.S.		For Bumper
# 8 X 5/8" P.H		For fixed panel
# 6 X 3/8" P.H		For fix clip
#8 X 1 1/2 F.H.		FOR POCKET JAMB
P3802AFK		Adhesive pile pads
P6304AFK		Adhesive pile pads
D.S 791 or equal		Weatherproofing sealant
SGD-1600		Pocket door bumper

ES-A-018		Fixed panel clip
ES-SGD2020-007		Sill Riser
ES-SGD2020-041		Sill Riser
ES-SGD2020-040		Sill Riser
191013		Exterior pull locking handle
191054		Interior dummy handle
PS01-3012-FINISH		Dummy mounting plate
M4 x 40		Screw M4 x 40 SS FH TT
10*1/2 PAN TYPE B AC INOX		Interior handle screw
10*1 F.H		For 2 point SS mortise
Slide crest		Slide crest handle
8*3/4" P.H		Screw for strike
ES-W625-F01		3/8" x 11/16" x 2" Open cell foam
2-500-FINISH		Screw cap cover

# STEP 1

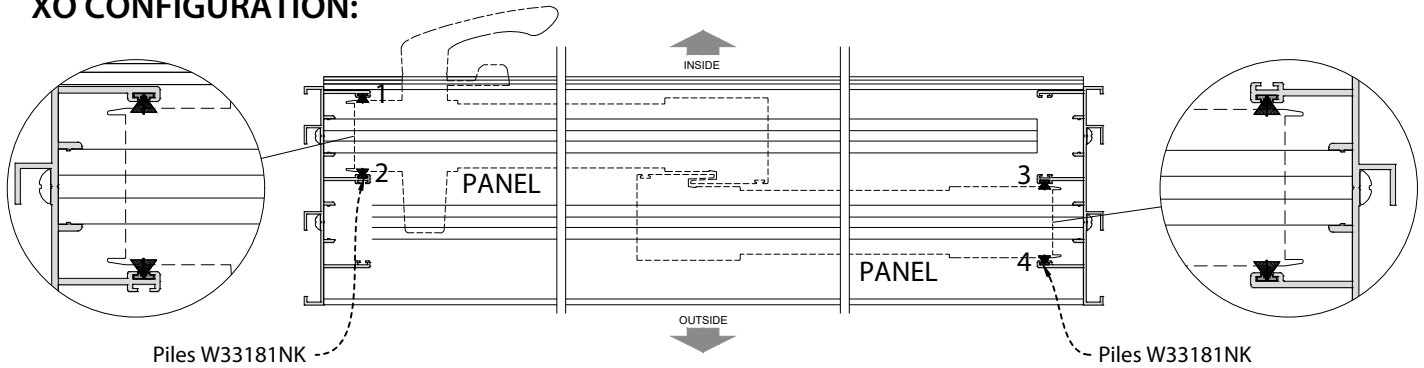
## INSPECTION AND VERIFICATION:

- 1.1. The rough opening should be checked for the correct size as determined by dimensions listed in the architectural specifications and the shop drawings. Measure rough opening in several places to determine variations.
- 1.2. Check all the material upon arrival for quantity and damage.
- 1.3. Remove any debris that interferes with the proper installation of the unit.
- 1.4. If you notice any irregularities, notify ESWINDOWS.

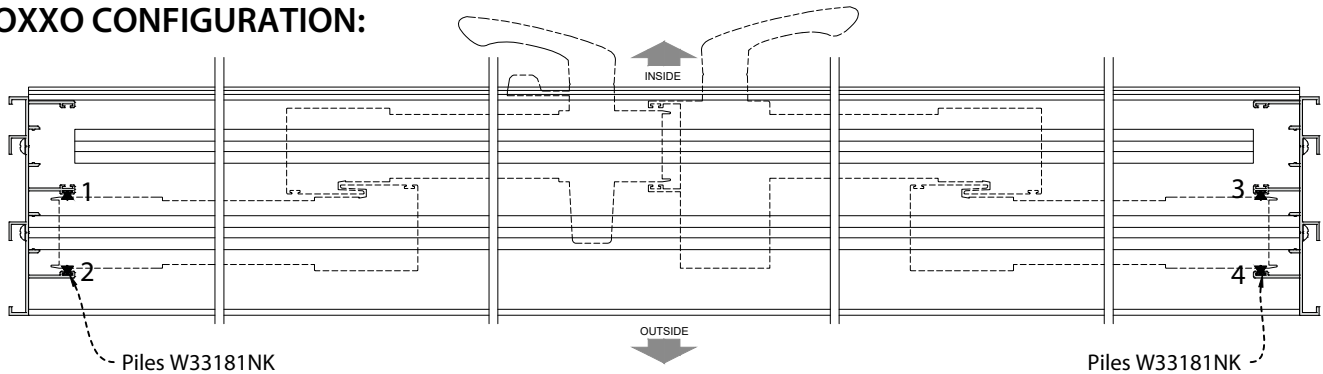


1.5. Verify the jamb has the following piles installed. Piles are placed only in the track where a panel meets with the jamb, as shown in details below.

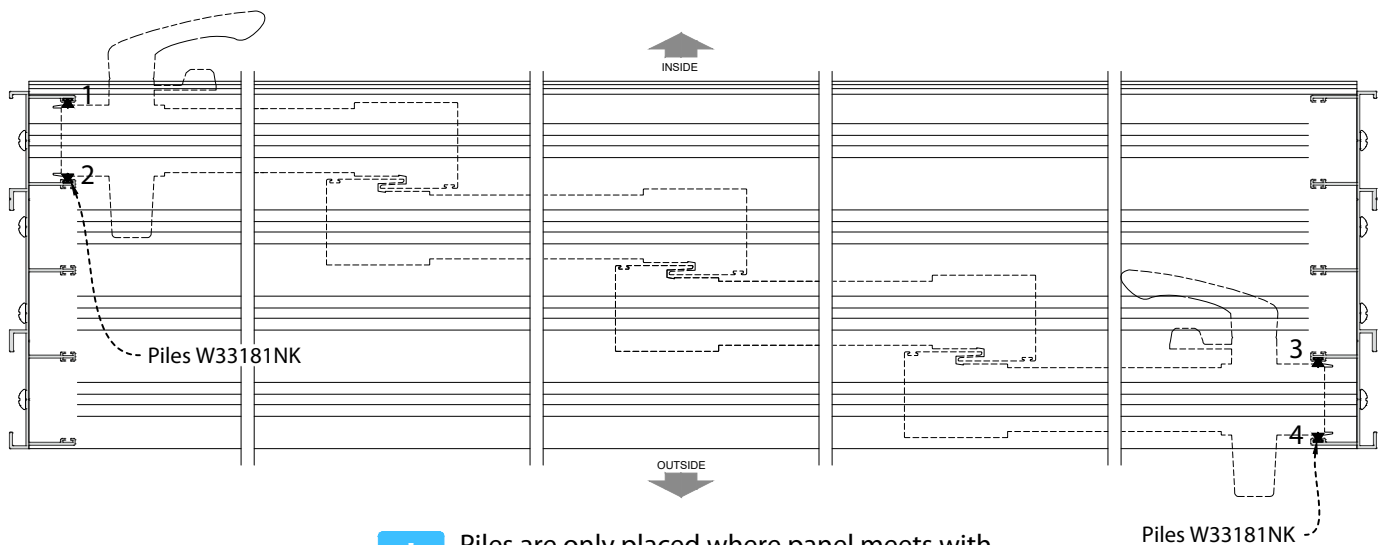
### XO CONFIGURATION:



### OXXO CONFIGURATION:



### XXXX CONFIGURATION:



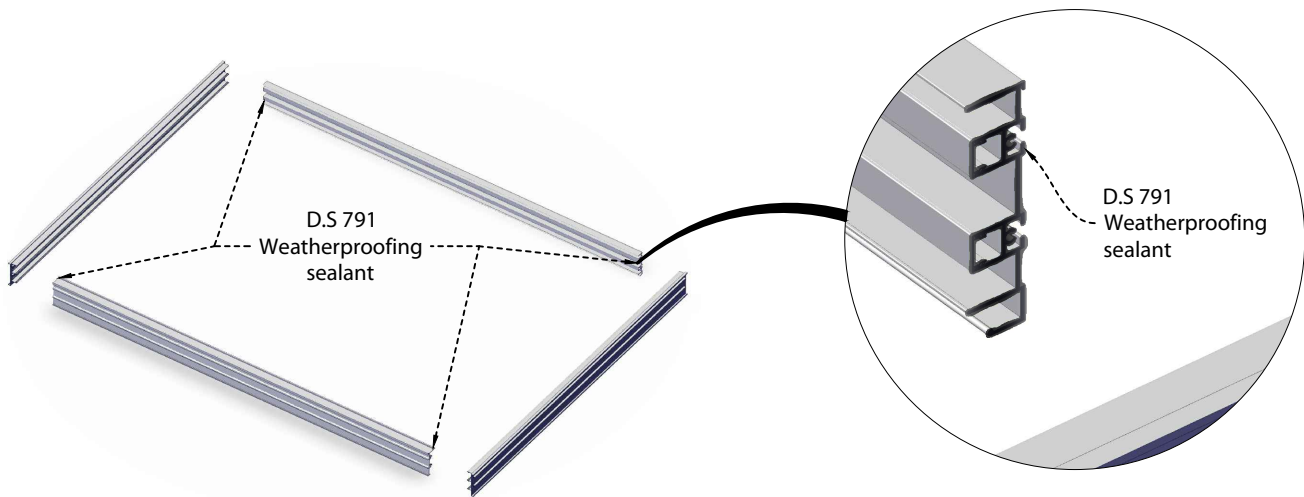
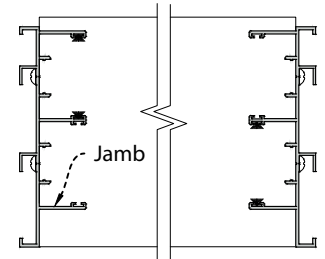
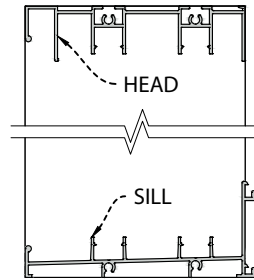
**!** Piles are only placed where panel meets with a jamb, this applies for every configuration.



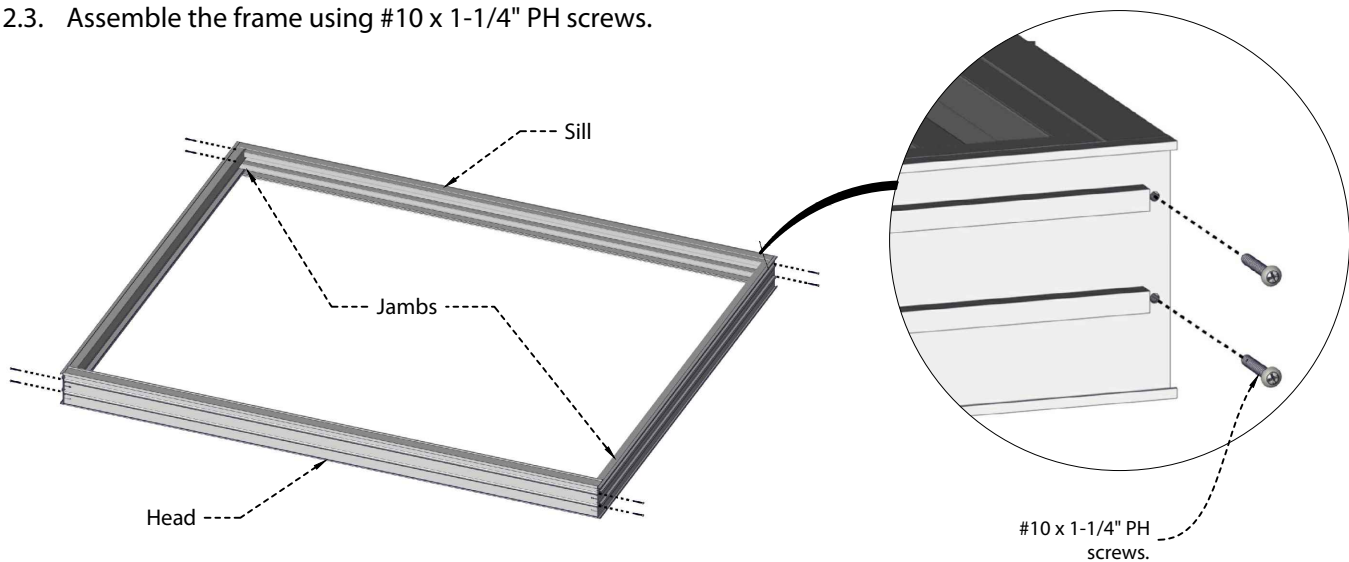
# STEP 2

## FRAME ASSEMBLY:

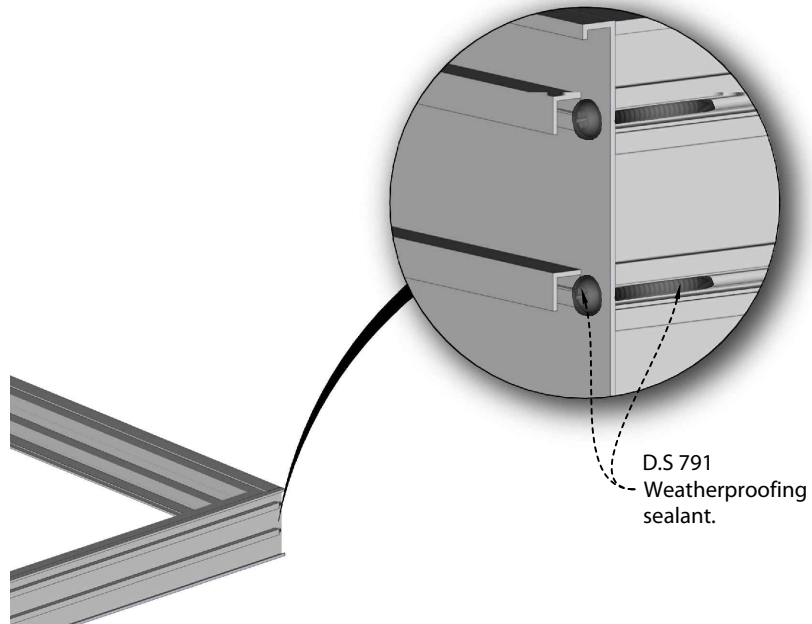
- 2.1. Clean the frame surfaces to be in contact with sealant.
- 2.2. Apply weatherproofing sealant (D.S 791 or similar) to the head and sill ends as shown in detail below.



- 2.3. Assemble the frame using #10 x 1-1/4" PH screws.



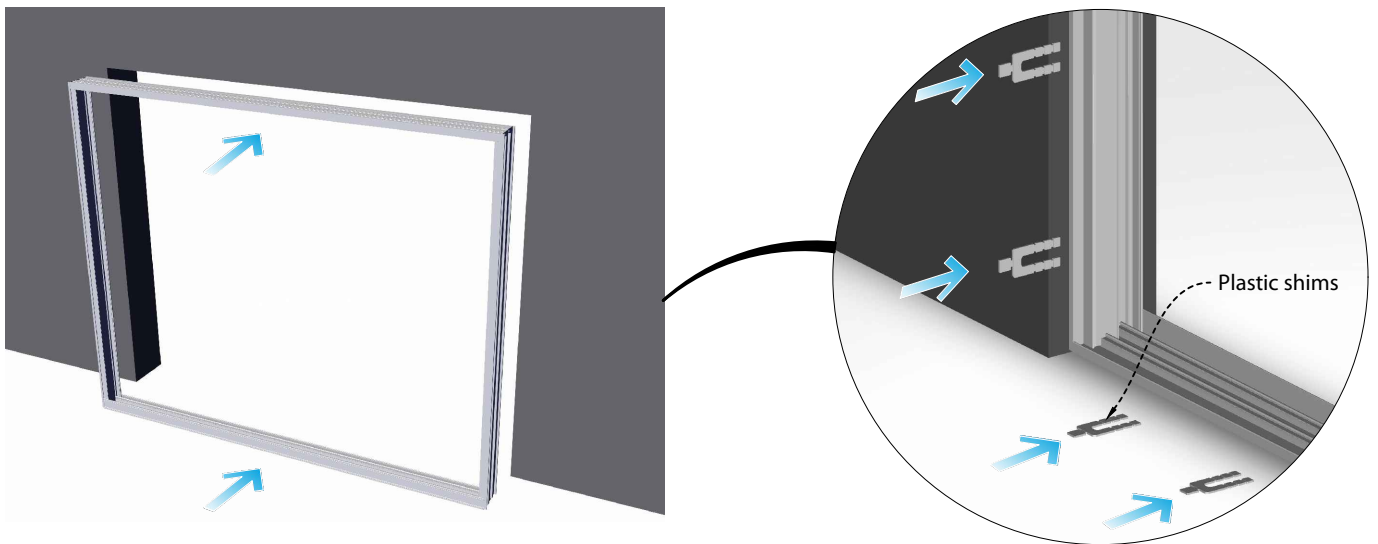
2.4. Apply weatherproofing sealant (D.S 791 or similar) to the body and head of screws.



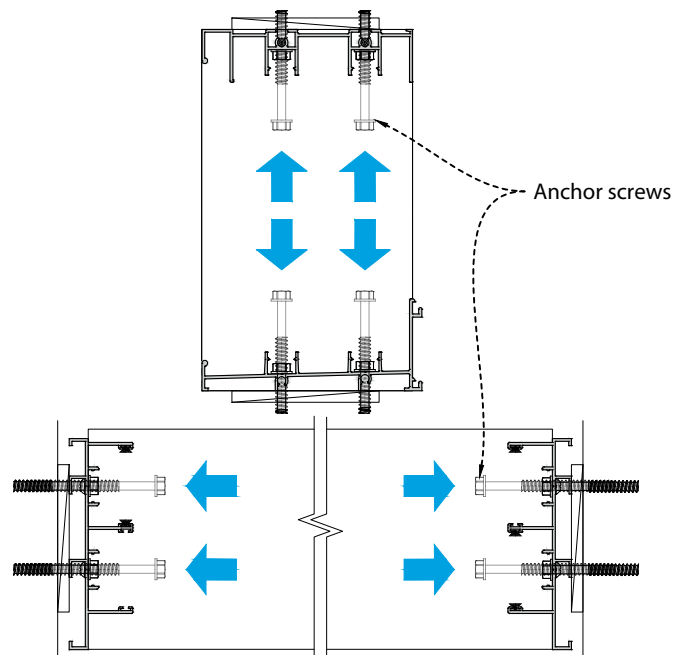
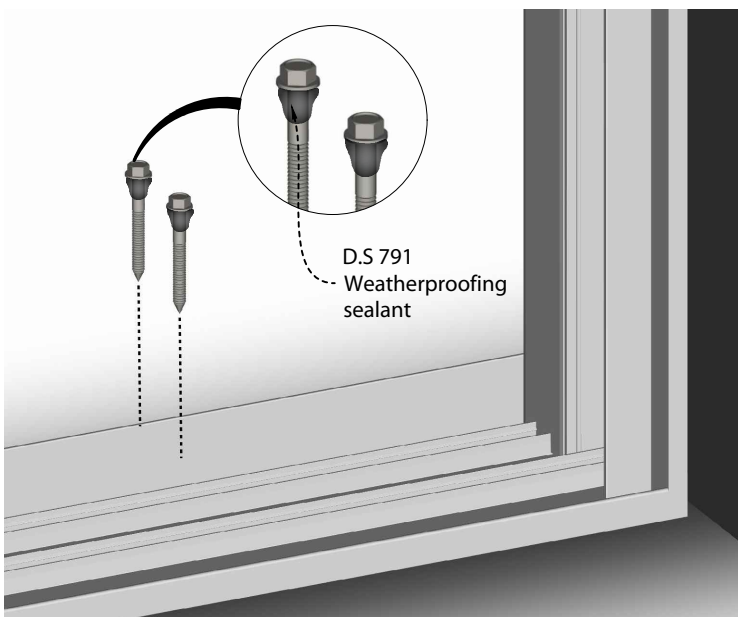
# STEP 3

## FRAME INSTALLATION:

- 3.1. Clean the opening and place the frame in it. Level the frame using hi-impact plastic shims.
- 3.2. Verify the squareness of the frame with the help of a plumb and a measuring tape.



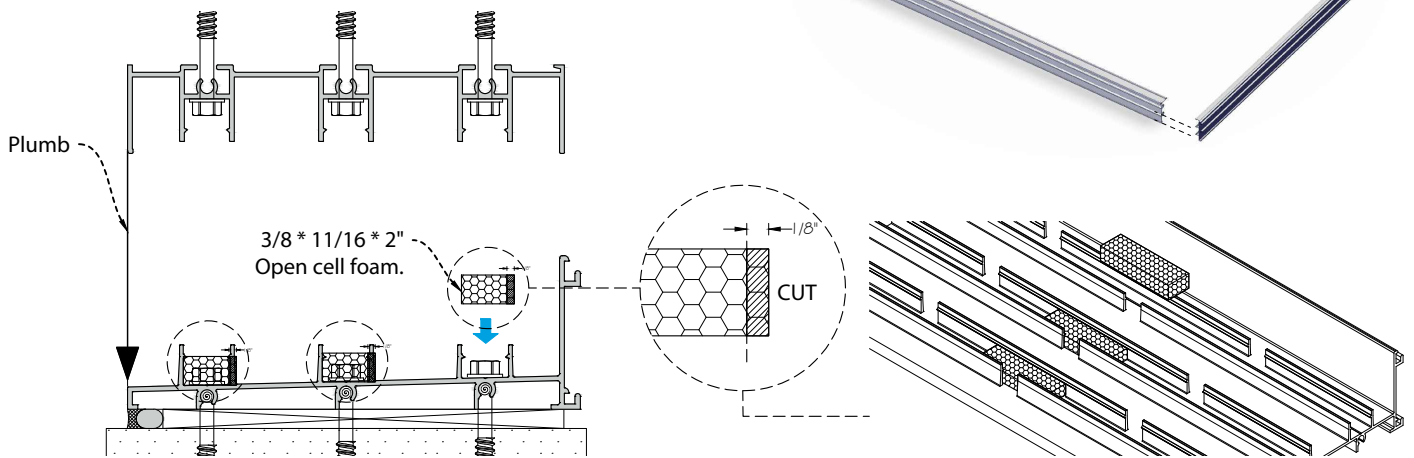
- 3.3. Use frame holes as a guide to install anchor screws. Apply weatherproofing sealant to screws bodies prior to installation.



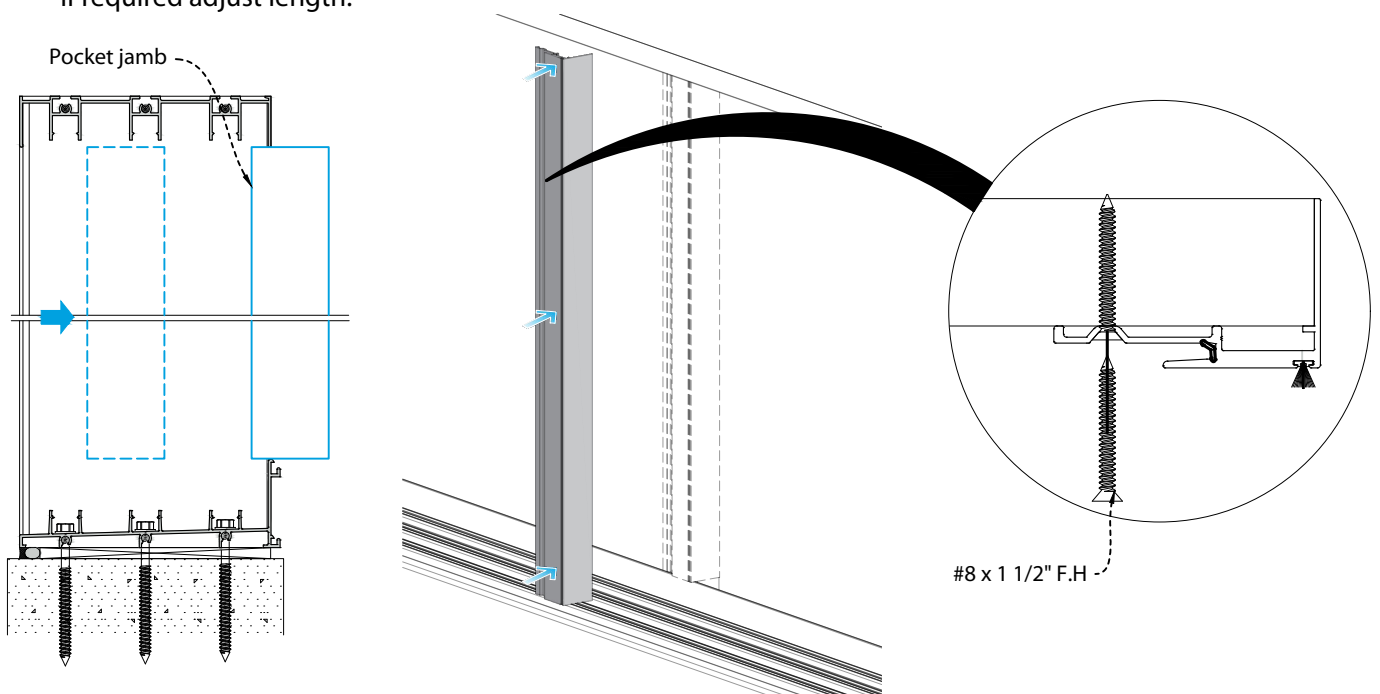
## Pocket jamb installation:

- 3.4. For pocket jamb configurations at both sides of the frame install first sill with required anchor screws.
- 3.5. Use a laser and a plumb to mark a reference line of the head location on the ceiling. Locate head and attach it with required screws. Make sure head and sill are completely aligned. Install OC foam @outter weep holes as shown in the detail below.

- 3.6. For pocket jamb configurations on one side of the frame, assemble frame prior to its installation in the opening. Install frame following steps 3.1-3.3.



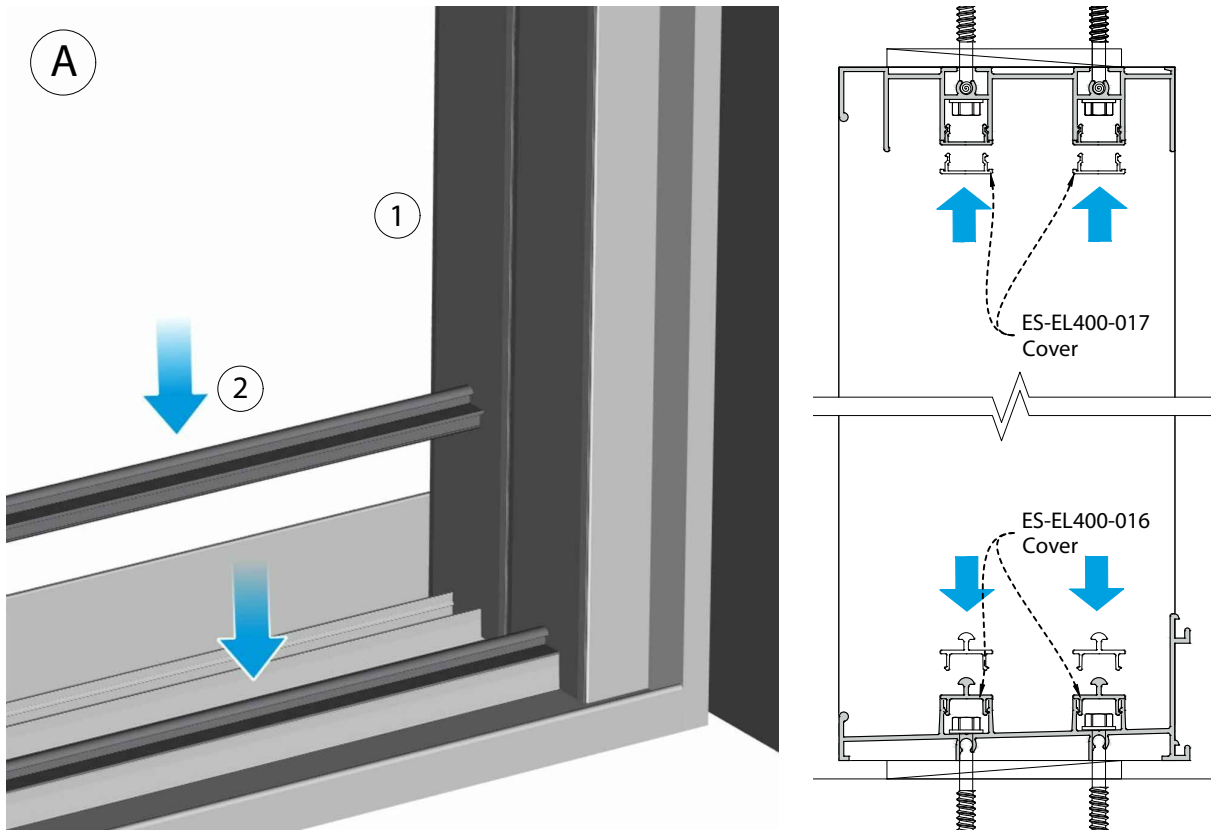
- 3.7. Locate pocket jamb and install with required screws. Jamb is shop fabricated to fit in between the head and sill. if required adjust length.



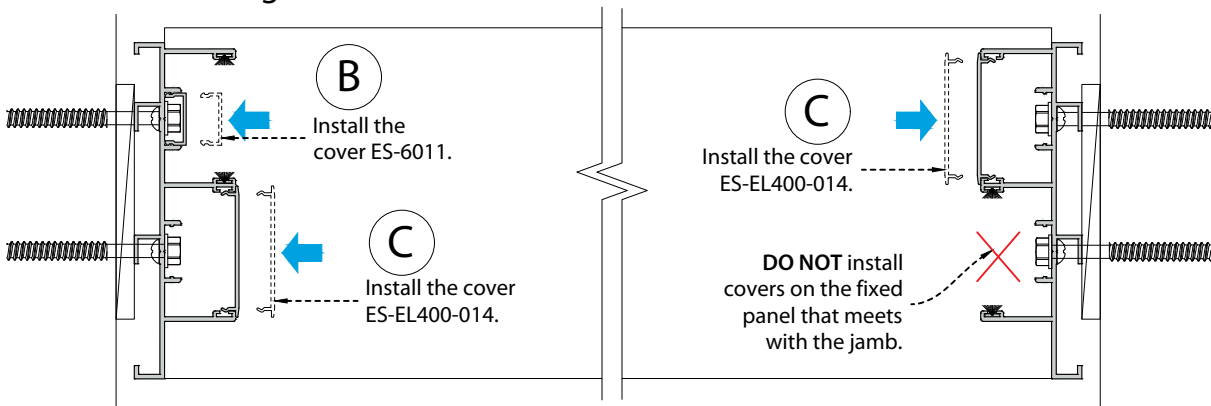
# STEP 4

## INSTALLATION OF COVERS AND FIXED PANEL CLIP:

4.1. Install jamb, head and sill covers (Detail A). The ES-6011 jamb covers must be installed only on the tracks where a sliding panel meets with the jamb (Detail B). Install ES-EL400-014 jamb covers on the tracks where the panels don't meet with the jambs (Detail C).

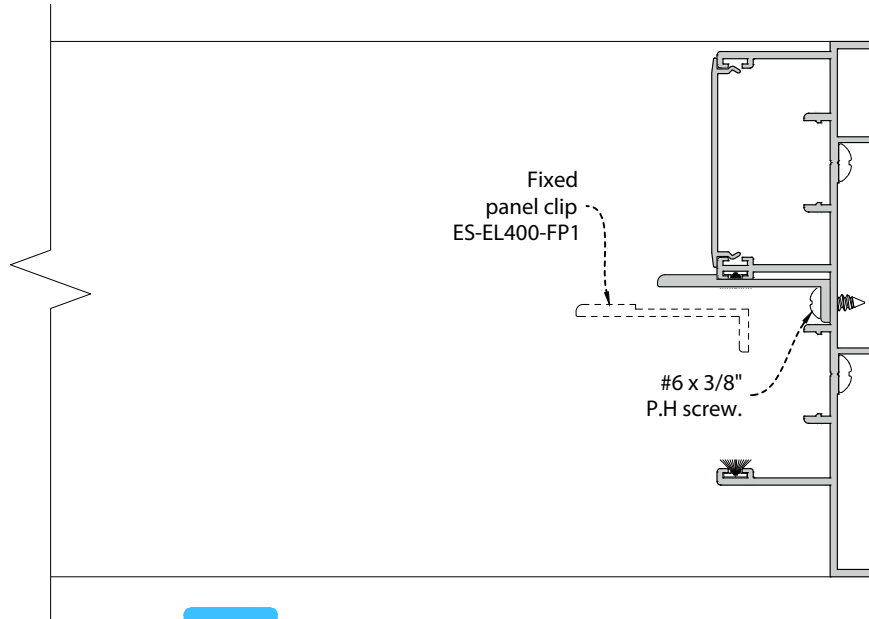


### XO configuration:

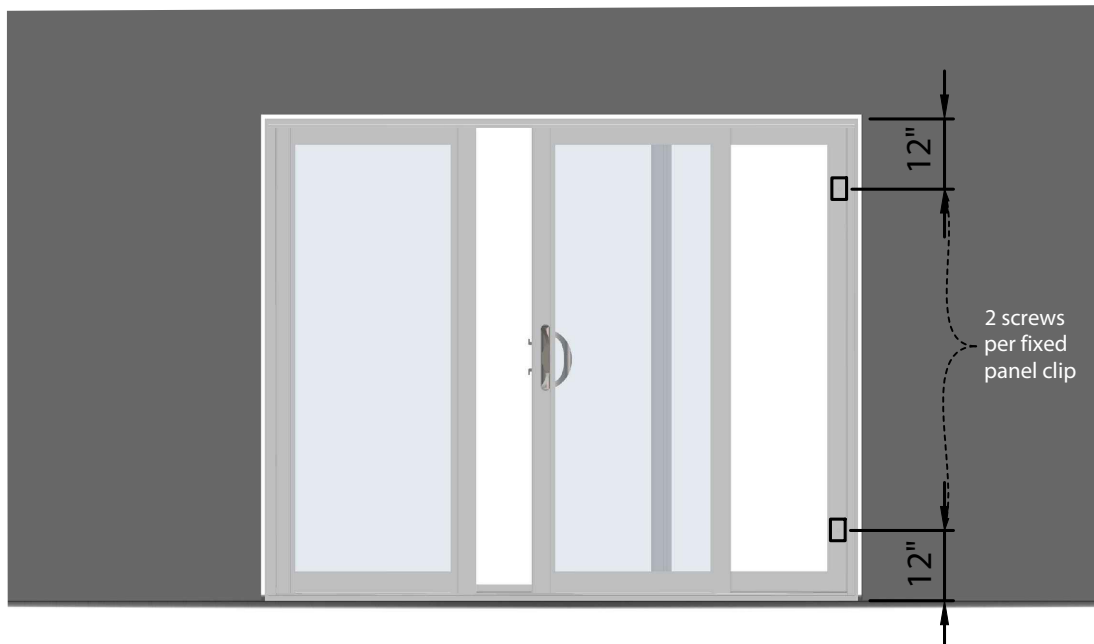


## INSTALLATION OF FIXED PANEL CLIP:

4.2. Prior to the installation of the panels, install fixed panel clip ES-EL400-FP1 with the #6 x 3/8" P.H screw.



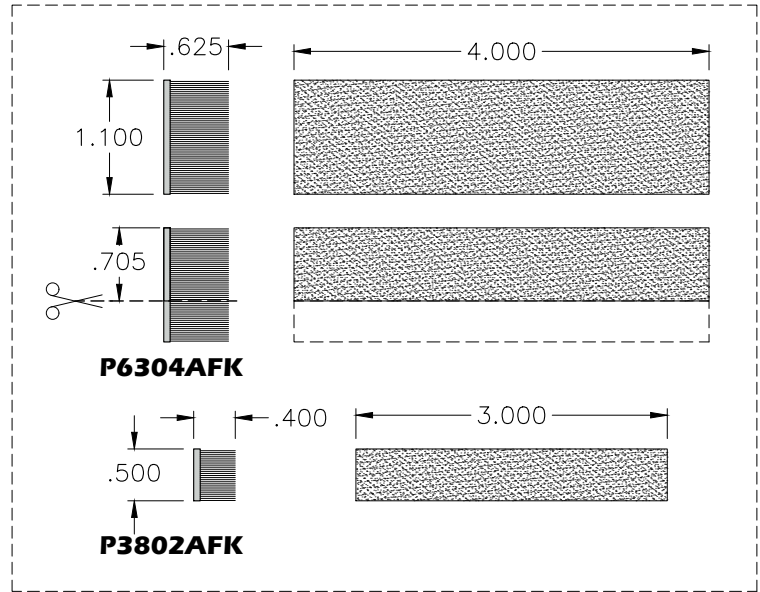
Install two fix panel clips per fixed panel.



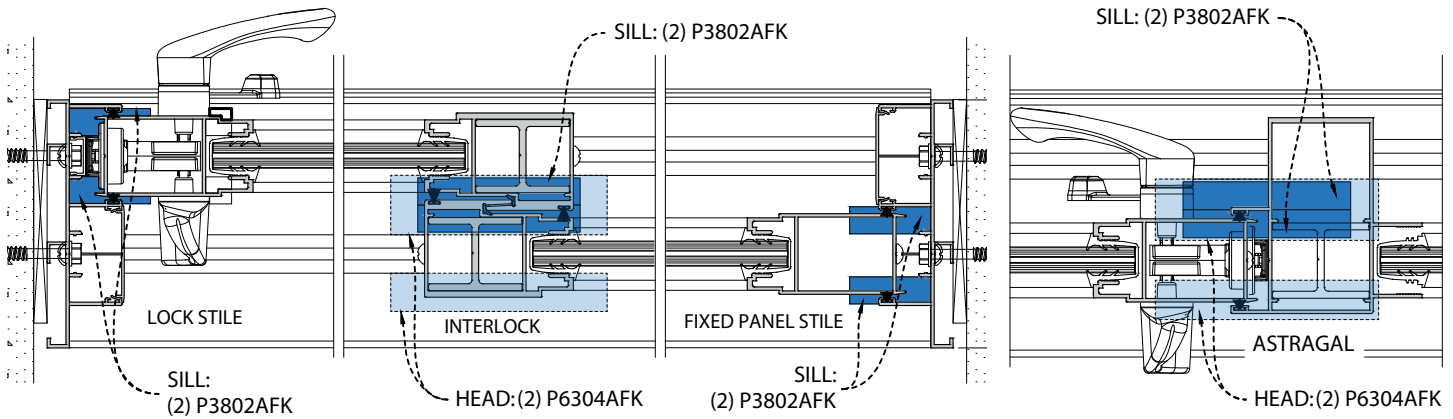
# STEP 5

## INSTALLATION OF PILE PADS:

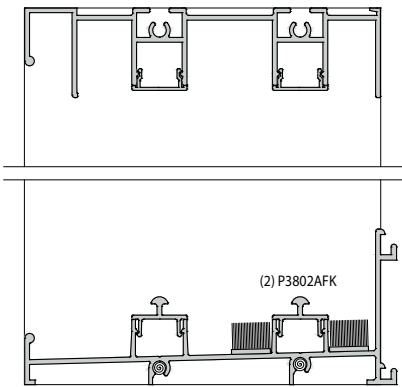
- 5.1. Install adhesive pile pads on the sill and head where interlocks, astragals and stiles will be placed. Follow diagram below.
- 5.2. For frame head's adhesive pile pads, make sure to install one complete P6304AFK above interlocks and astragals; and one trimmed to fit the outer part of the head, as shown in details below.



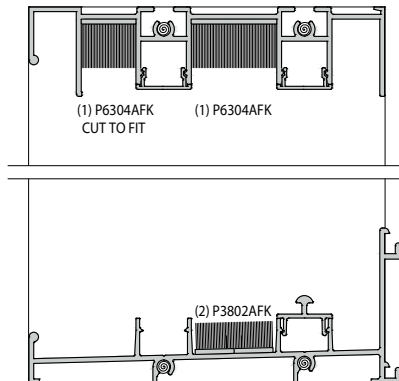
### ADHESIVE PILE PADS FOR XO CONFIGURATION.



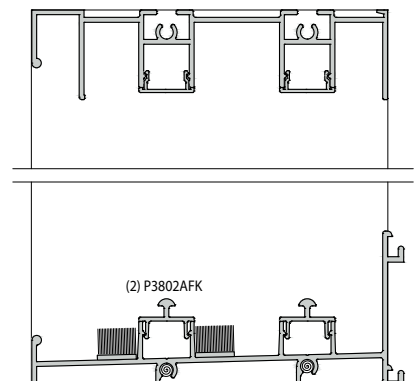
LOCATE ADHESIVE PILE PADS AS SHOWN IN DETAIL FOR LOCK STILES



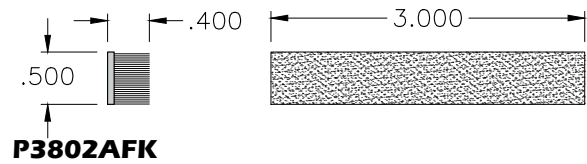
LOCATE ADHESIVE PILE PADS AS SHOWN IN DETAIL FOR INTERLOCKS AND ASTRAGALS



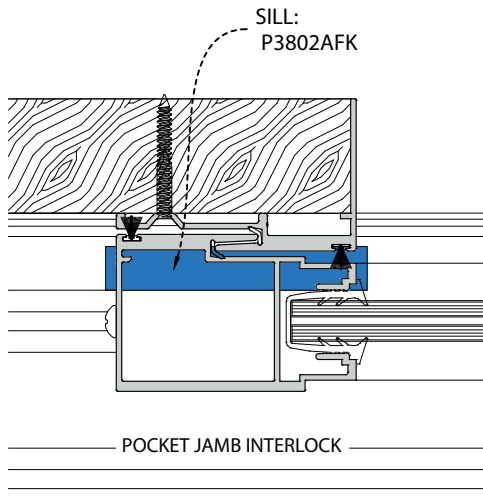
LOCATE ADHESIVE PILE PADS AS SHOWN IN DETAIL FOR FIXED PANEL STILES



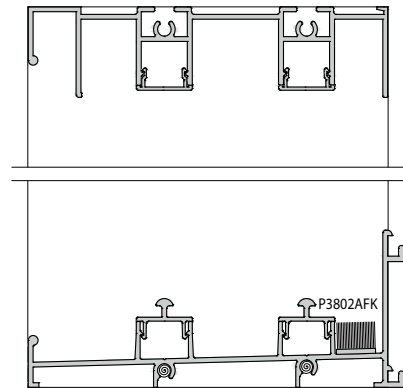
5.3. For pocket jams install adhesive pile pad at the sill under the interlocks.



### INSTALLATION SCHEME FOR POCKET JAMB ADHESIVE PILE PADS:



LOCATE ADHESIVE PILE PADS AS  
SHOWN IN DETAIL BELOW

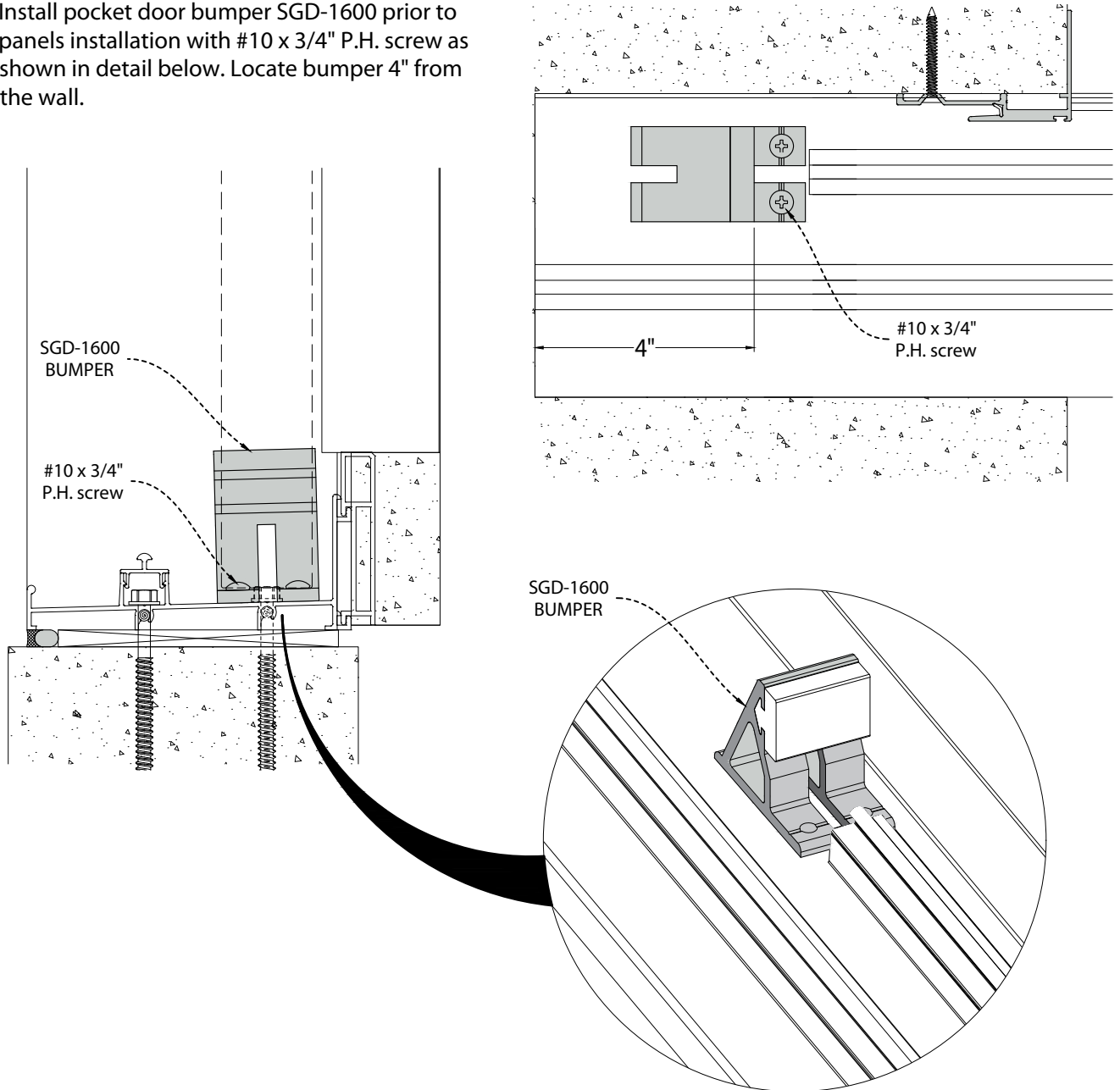




# STEP 6

## INSTALLATION OF SGD-1600 BUMPER (ONLY FOR POCKET DOORS):

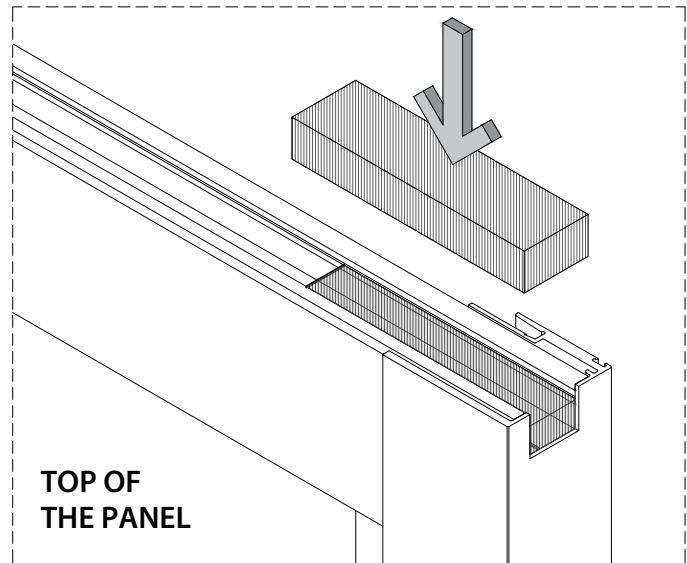
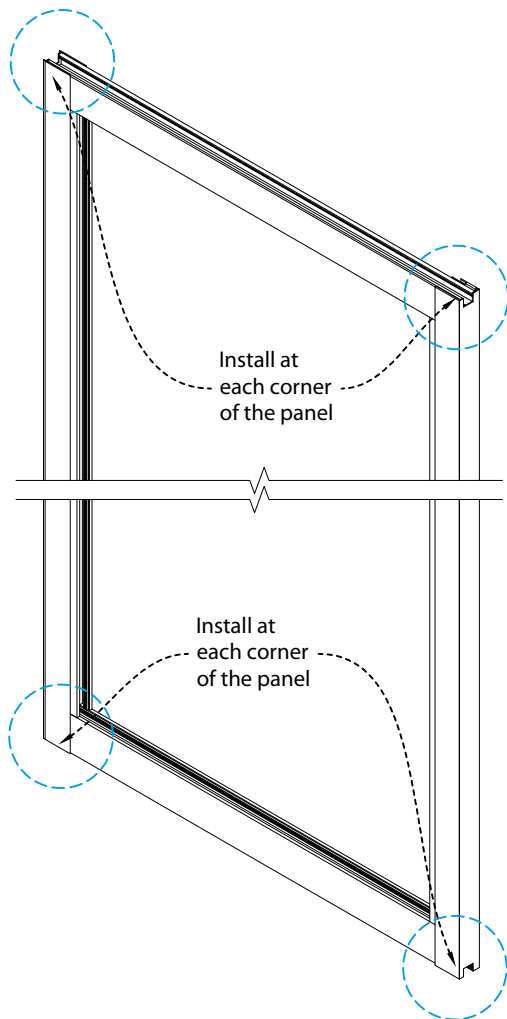
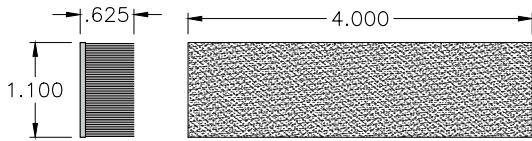
- 6.1. Install pocket door bumper SGD-1600 prior to panels installation with #10 x 3/4" P.H. screw as shown in detail below. Locate bumper 4" from the wall.



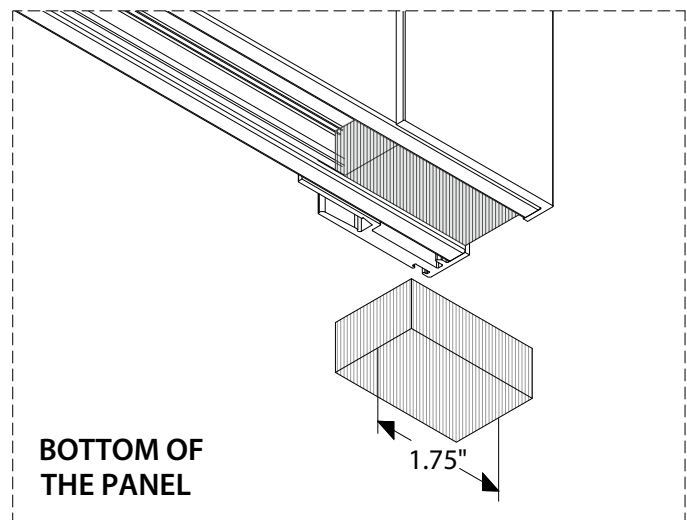
# STEP 7

## PANELS PREPARATION:

7.1. Before panels installation, it is required to install four P6304AFK adhesive pile pads, two on top and two on bottom edges of the panels as shown in detail below:



For pile pads on the bottom of the panel, make sure to cut them at 1.75" in order to fit without interfering with the rollers.



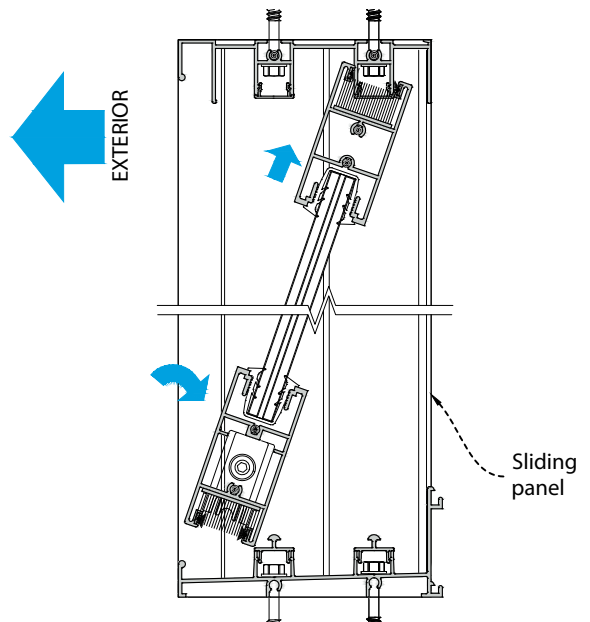
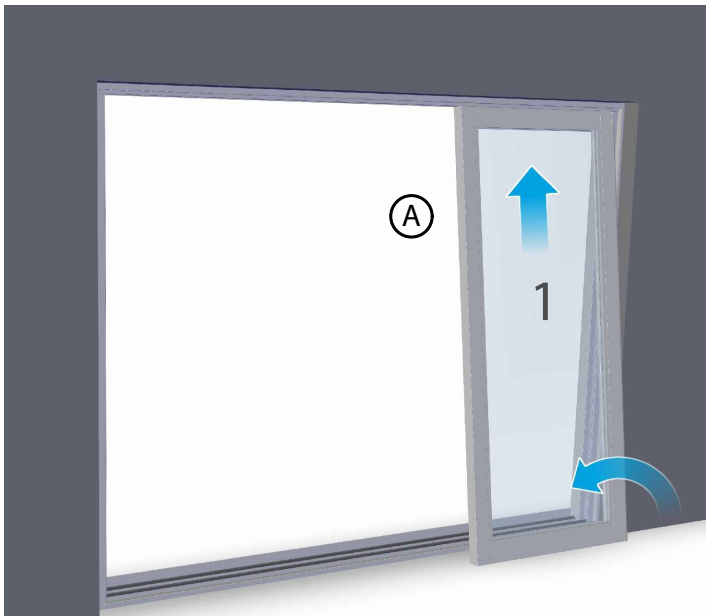
# STEP 8

## INSTALL PANELS:



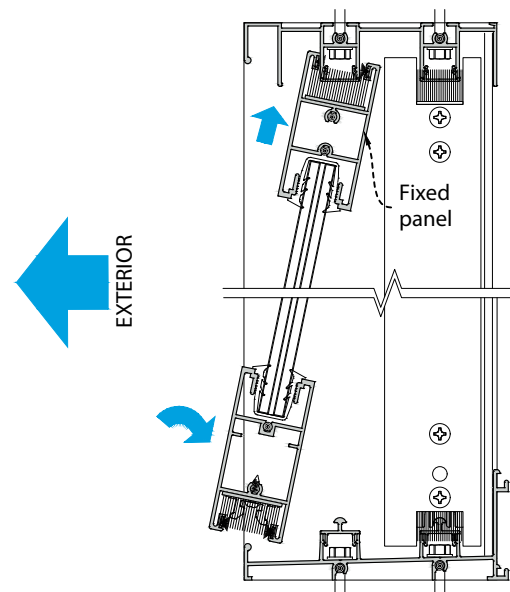
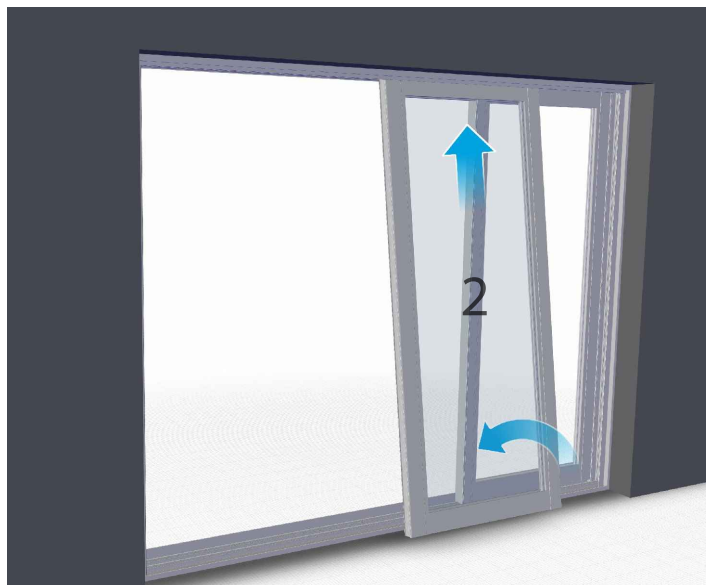
Installation sequence may vary according to the door configurations. Verify shop drawings to identify which panel should be installed first (sliding or fix panel).

8.1. From the exterior first install panels located on the inside rails of the frame (Detail A).



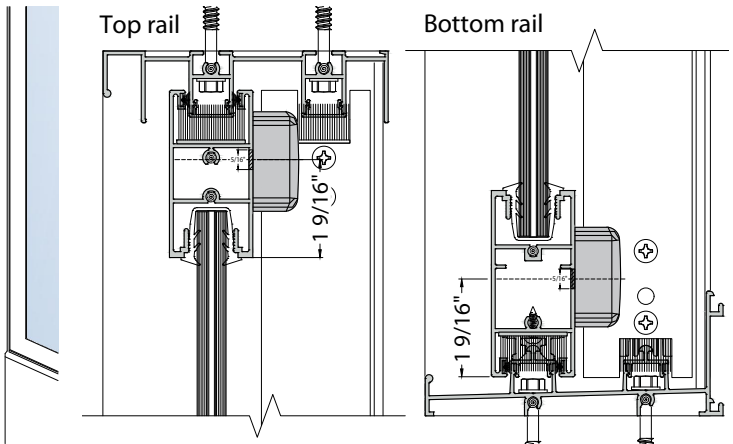
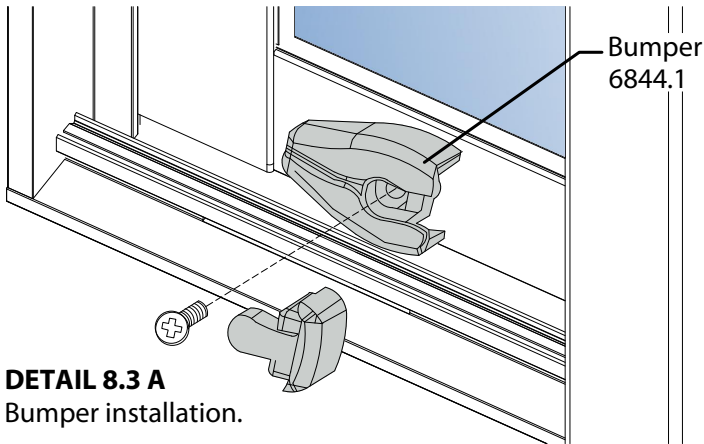
Before sliding panel installation, make sure the tracks are clean and free of any debris. During panel insertion do not drag or impact the roller to prevent long-term damage. Tracks should be clean and protected at all times during construction.

8.2. Then continue with the frames located in the outer rail as shown in detail.

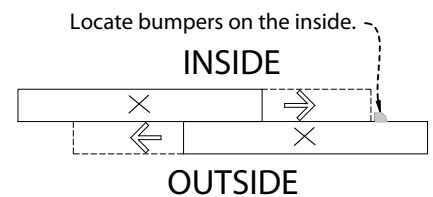
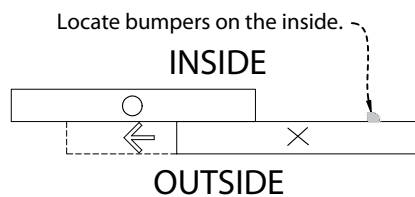
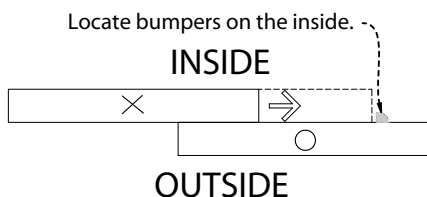
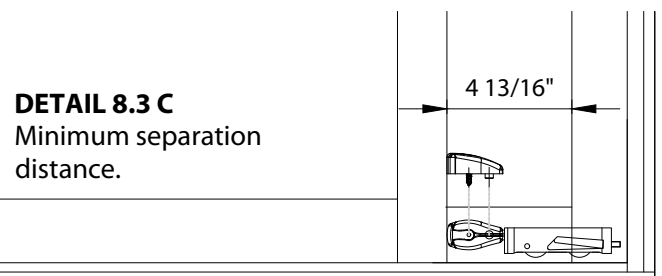
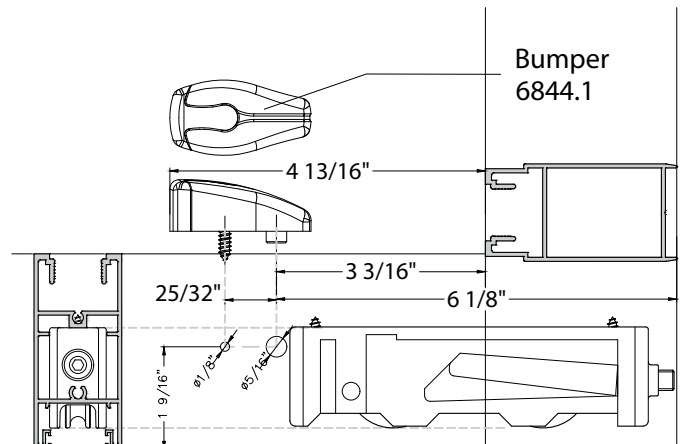
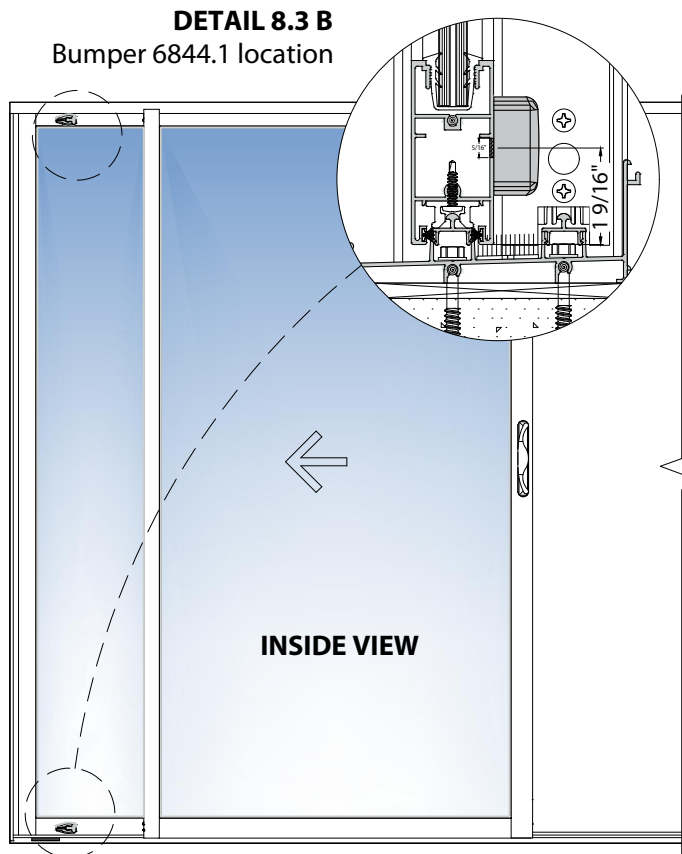


# INSTALLATION INSTRUCTIONS

8.3. Place the bumpers always on the inner side, in the upper and lower horizontals of the panel, as shown in details 8.3 A and B. Make sure to always verify the minimum separation distance between panels (detail C).




**!** For XX configuration or any other configuration with two consecutive sliding panels, caution is necessary when installing the bumper as not to pierce the rollers.



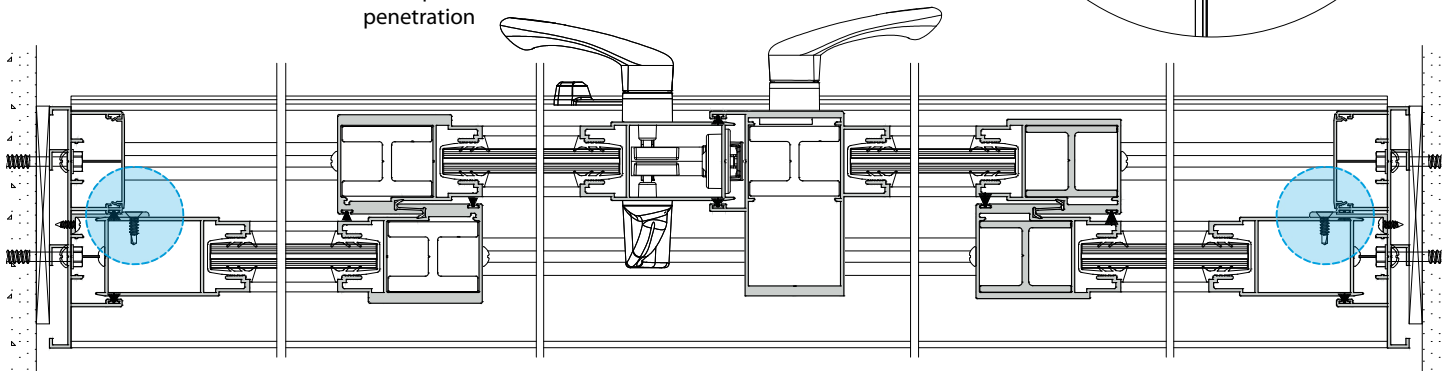
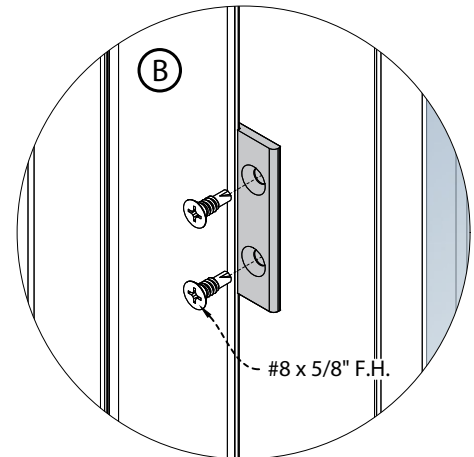
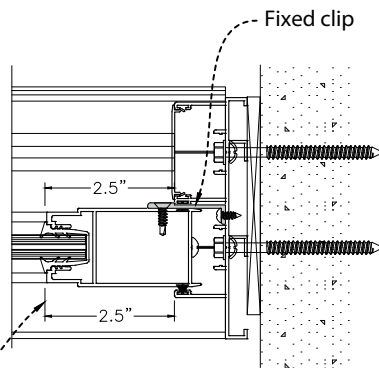
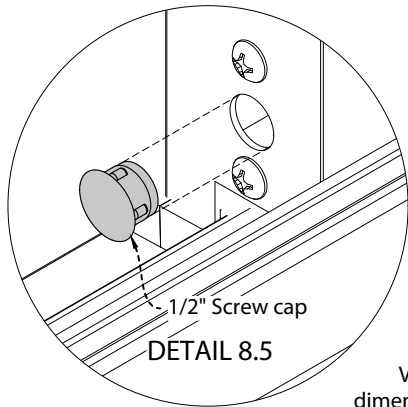
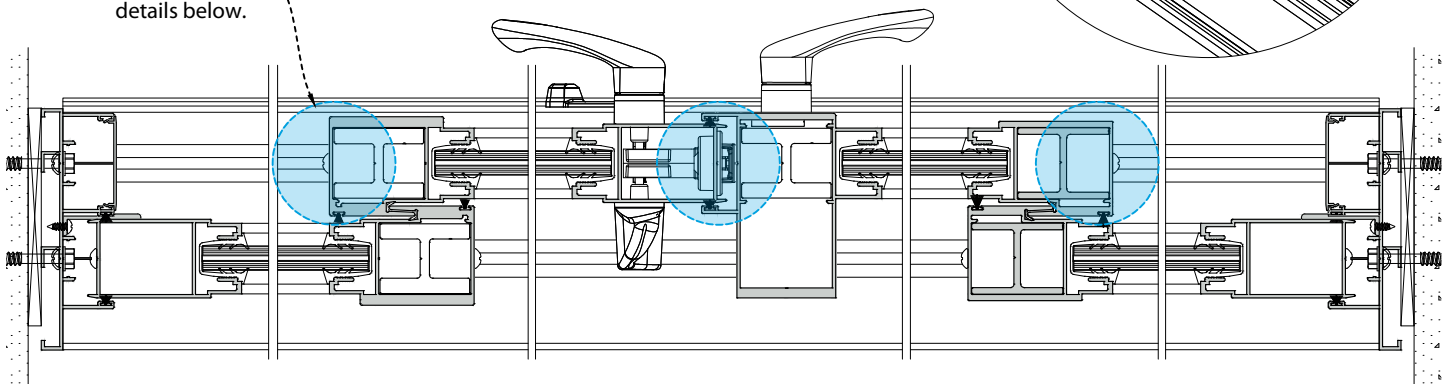
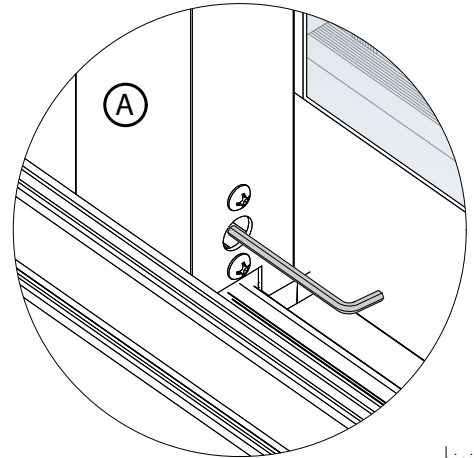
# INSTALLATION INSTRUCTIONS

8.4. For sliding panels, adjust rollers with the help of an Allen Wrench (Detail A). For fixed panels, install #8 x 5/8" F.H screw to fixed the panel to the frame (Detail B).

8.5. Install the 1/2" screw cap cover at the bottom of the sliding panels.

 The panel rollers must never be adjusted with the full weight of the panel on. When adjusting the rollers, lift the panel slightly while turning the adjustment screw.

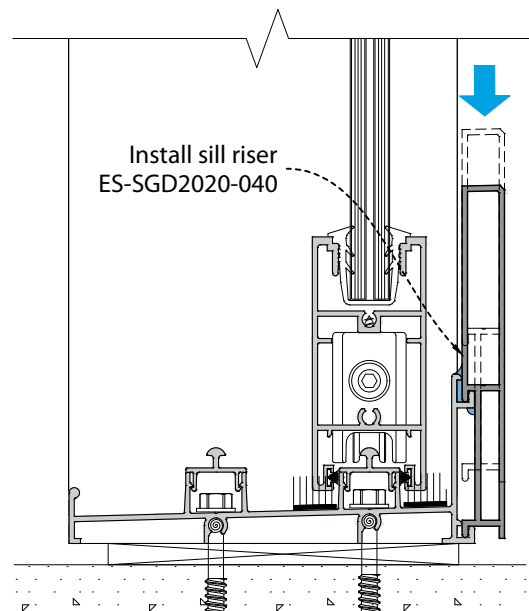
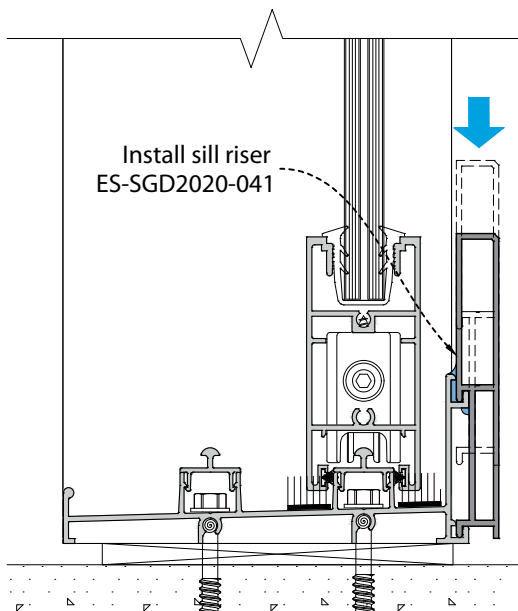
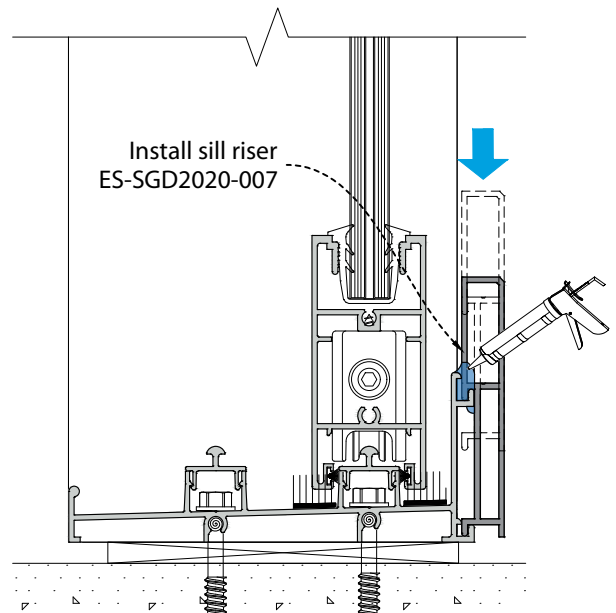
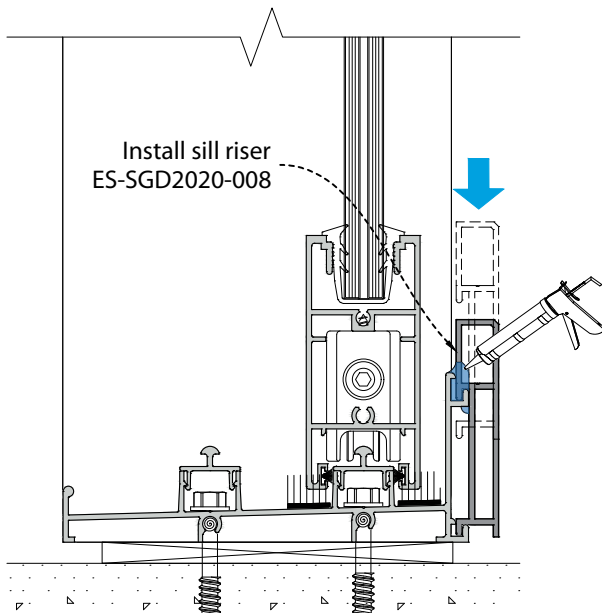
Adjust rollers at the bottom of each sliding panel: as shown in details below.



# STEP 9

## INSTALLATION OF SILL RISER (ONLY IF REQUIRED):

- 9.1. Apply silicone along the sill riser installation pocket, install sill riser and tools any silicone excess.  
Verify the sill riser reference is according to the one on shop drawings.

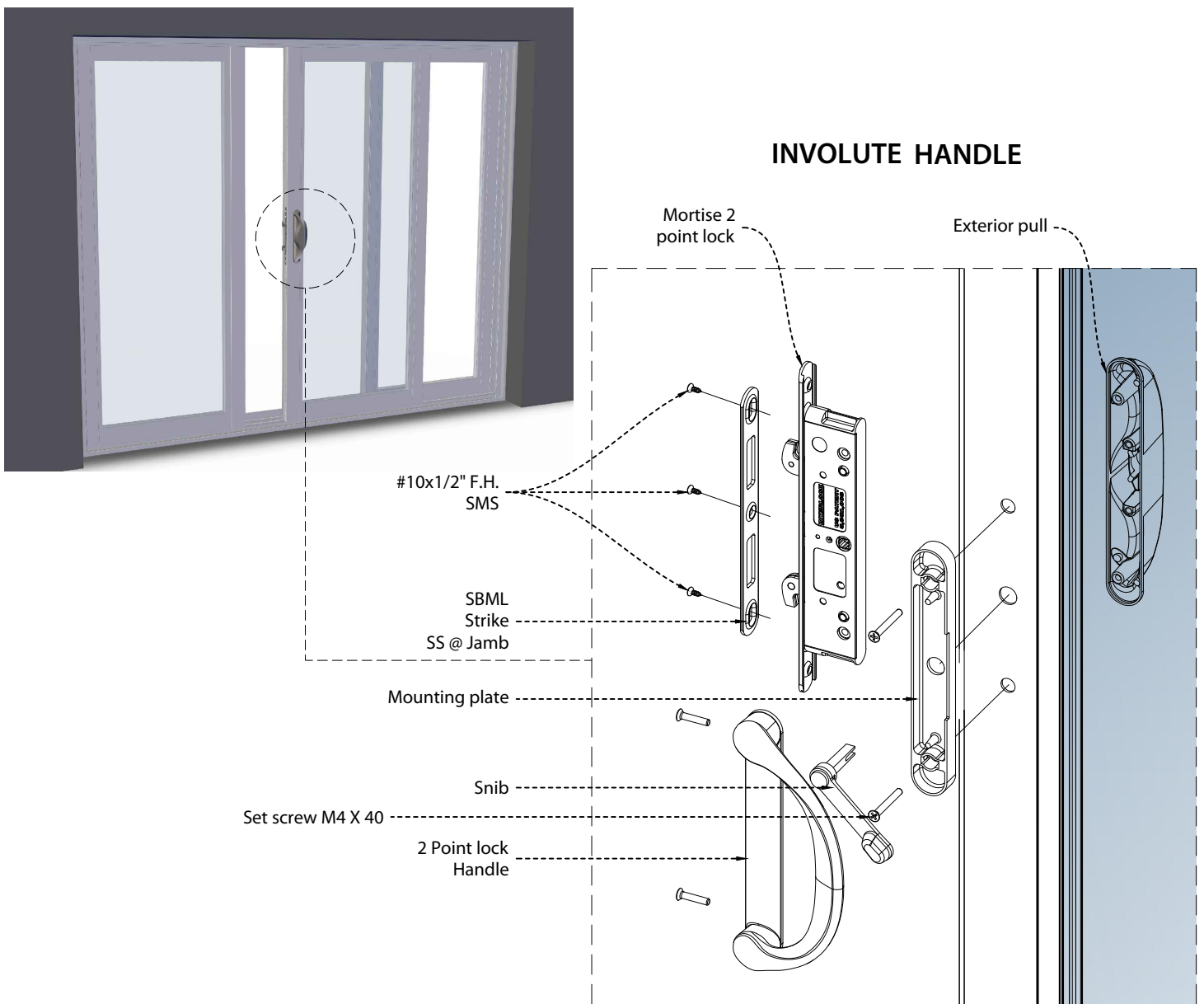


# STEP 10

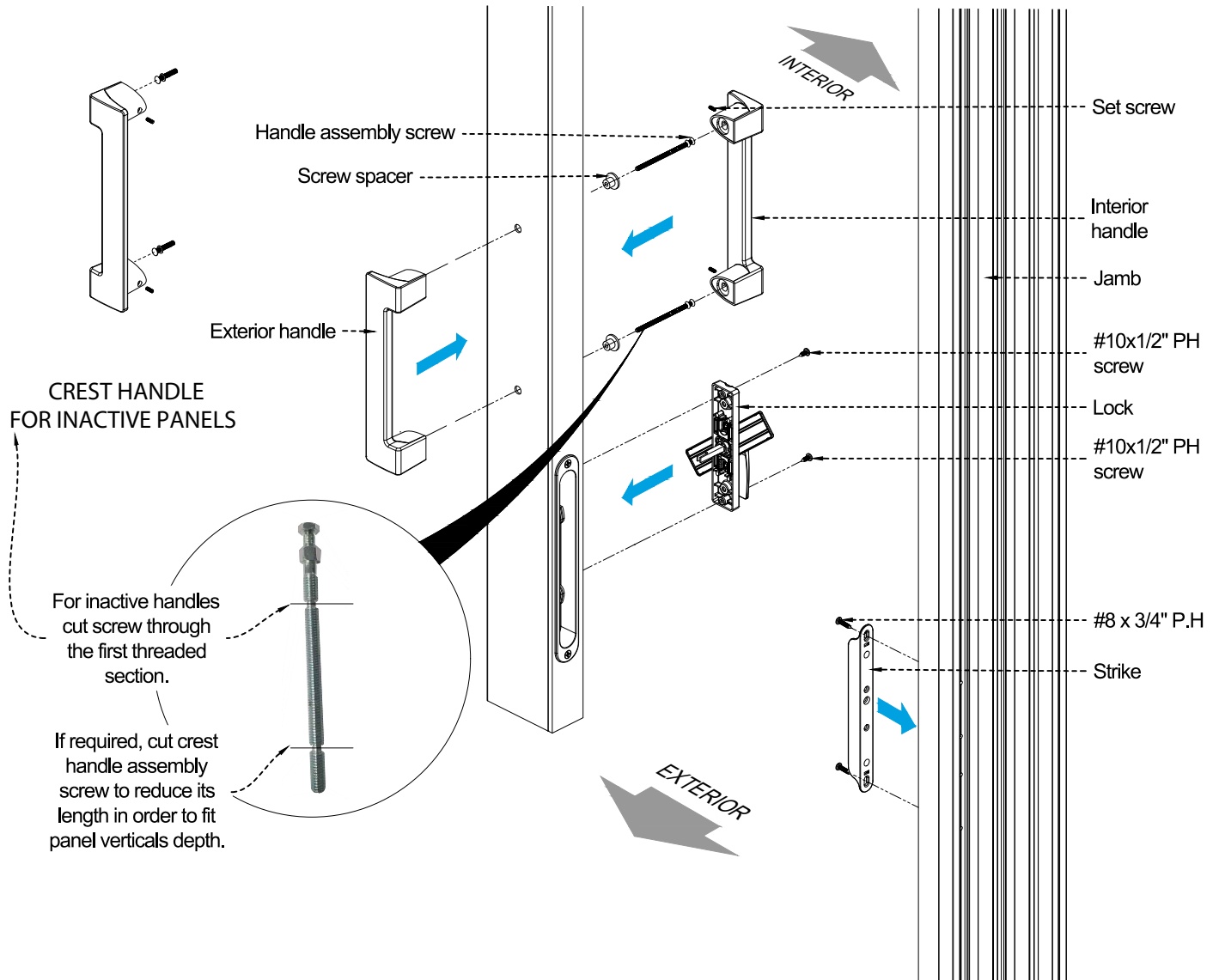
## INSTALL ACCESSORIES (HANDLE, COVERS AND BUMPER):

### 10.1. INSTALLATION OF HANDLE:

Install handles shown on the following exploded views

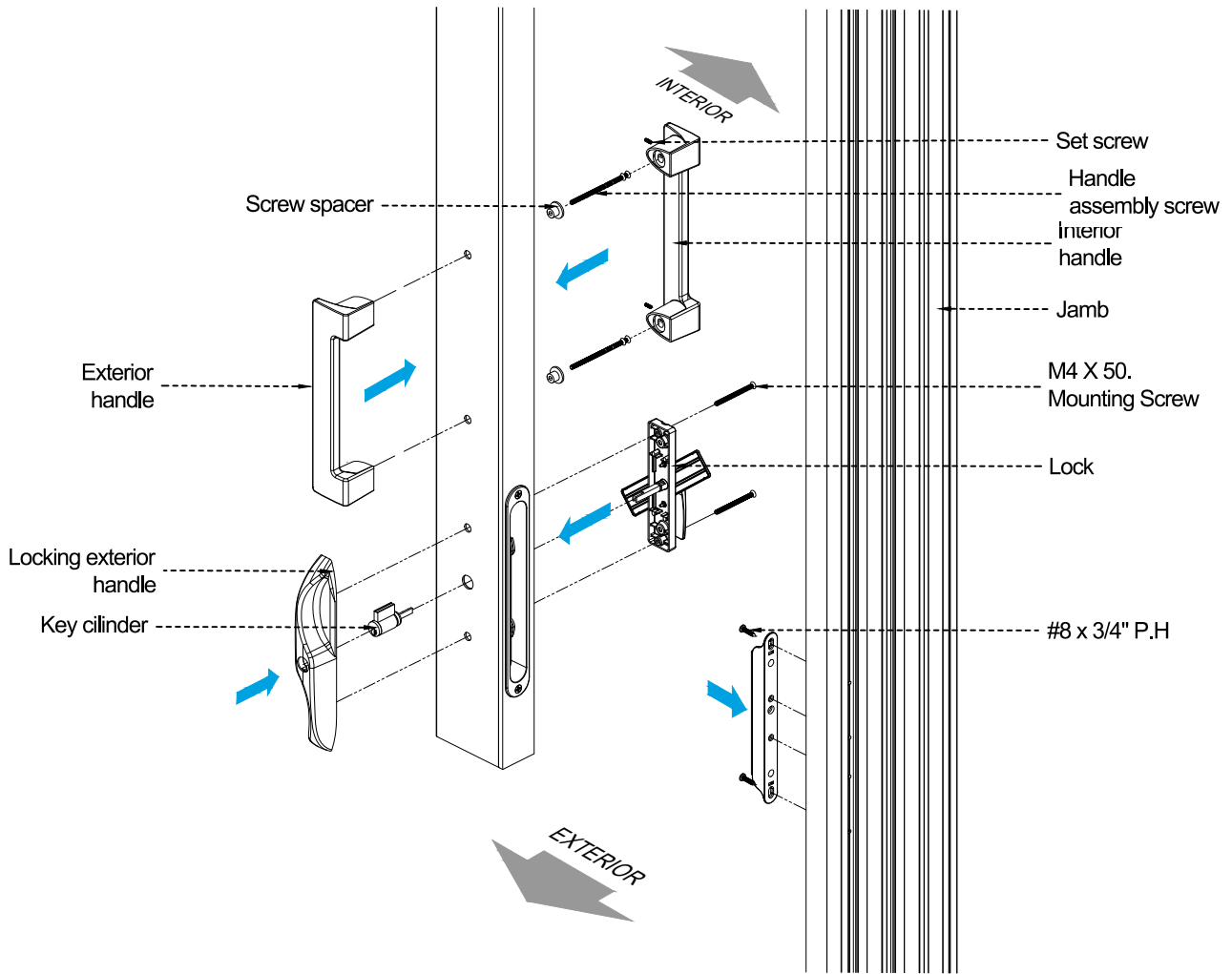


**CREST II HANDLE**

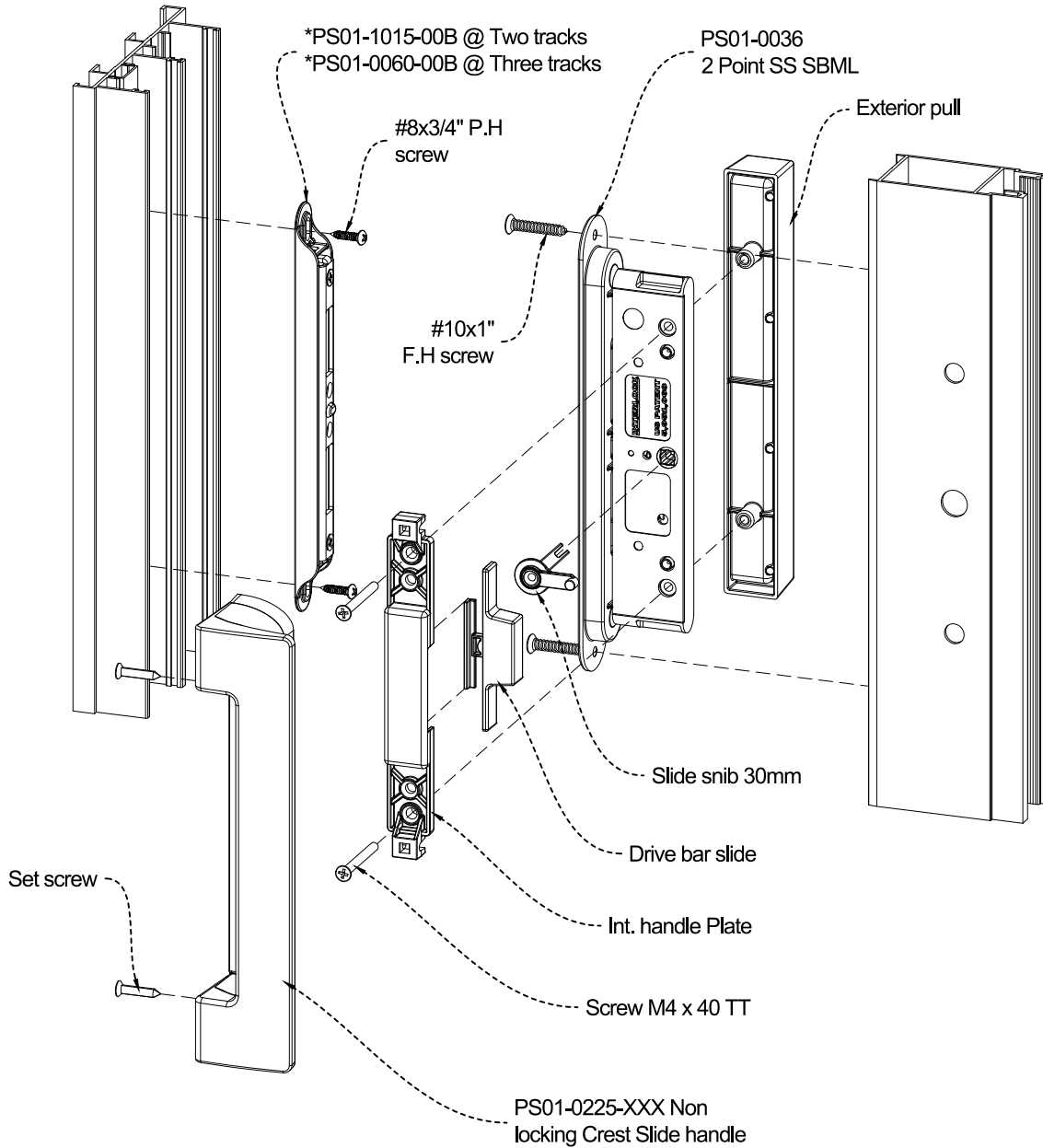




**MINI CREST HANDLE**



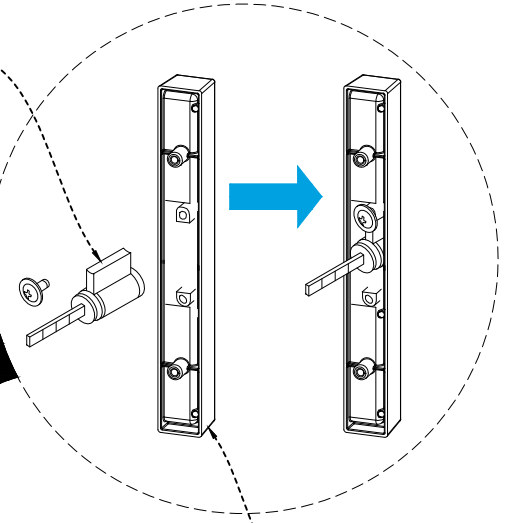
**CREST SLIDE  
 (ACTIVE HANDLE)**



## CREST SLIDE (EXTERIOR KEYED HANDLE)

Key cylinder  
 180259

Loosen the screw in the handle,  
 then, for left hand opening  
 doors, insert the lock cylinder  
 into the handle as shown. Then  
 secure with the set screw.  
 For right hand opening doors,  
 flip the cylinder 180 degrees.



Exterior pull locking  
 PS01-1324-XXX

\*PS01-1015-00B @ Two tracks  
 \*PS01-0060-00B @ Three tracks

#8x3/4" P.H  
 screw

#10x1"  
 F.H screw

PS01-0036  
 2 Point SS SBML

Slide snib 30mm

Drive bar slide

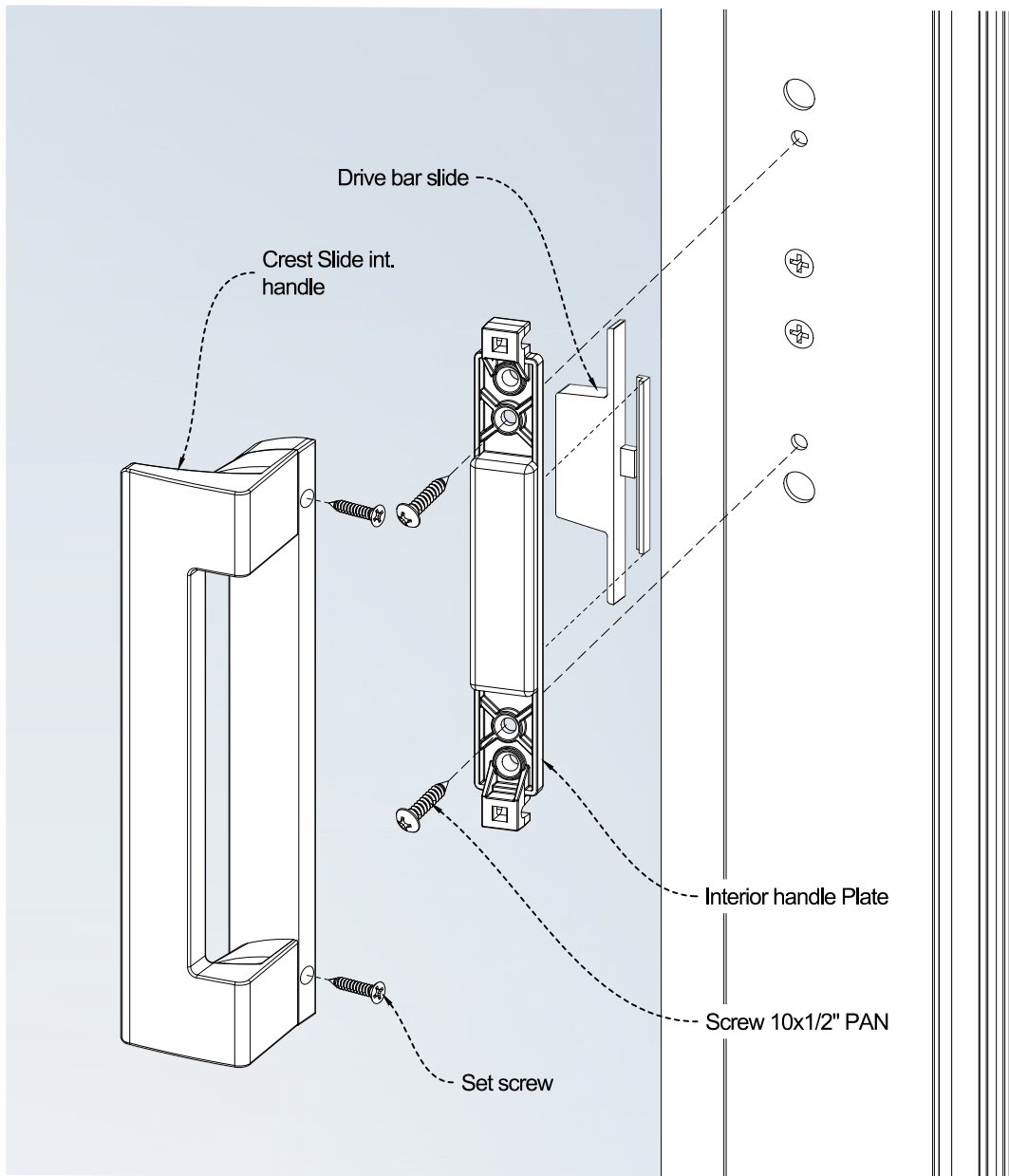
Int. handle Plate

Screw M4 x 40 TT

PS01-0225-XXX locking  
 Crest Slide handle

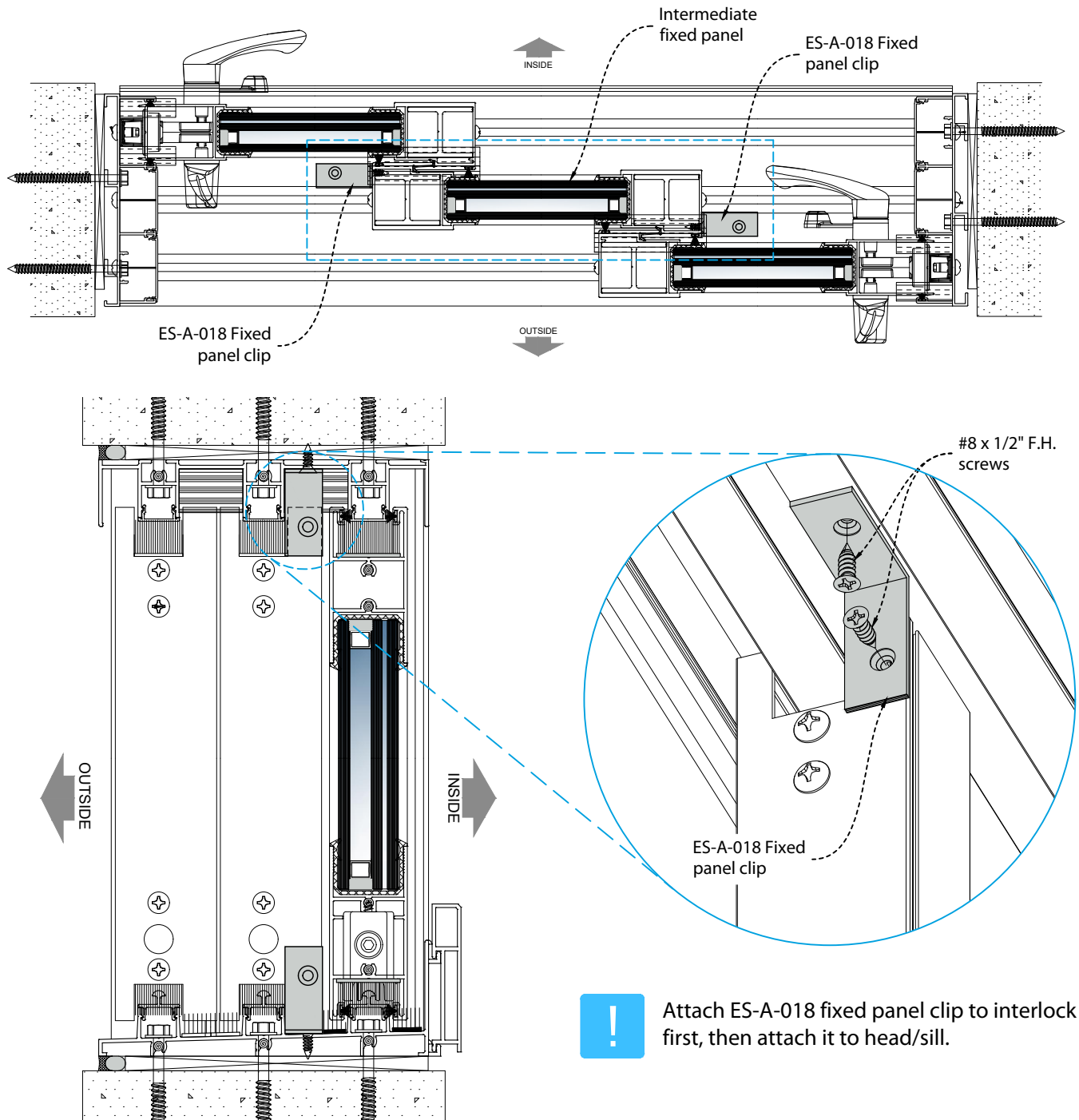
Set screw

**CREST SLIDE**  
(INACTIVE HANDLE)



## INSTALLATION OF ES-A-018 FIX PANEL CLIP:

10.2. For configurations with intermediate fixed panels, install two ES-A-018 fixed panel clip on each side of the panel; one at head and one at sill, as shown in detail below. Use #8 x 1/2" F.H screws to connect the interlock and the frame.

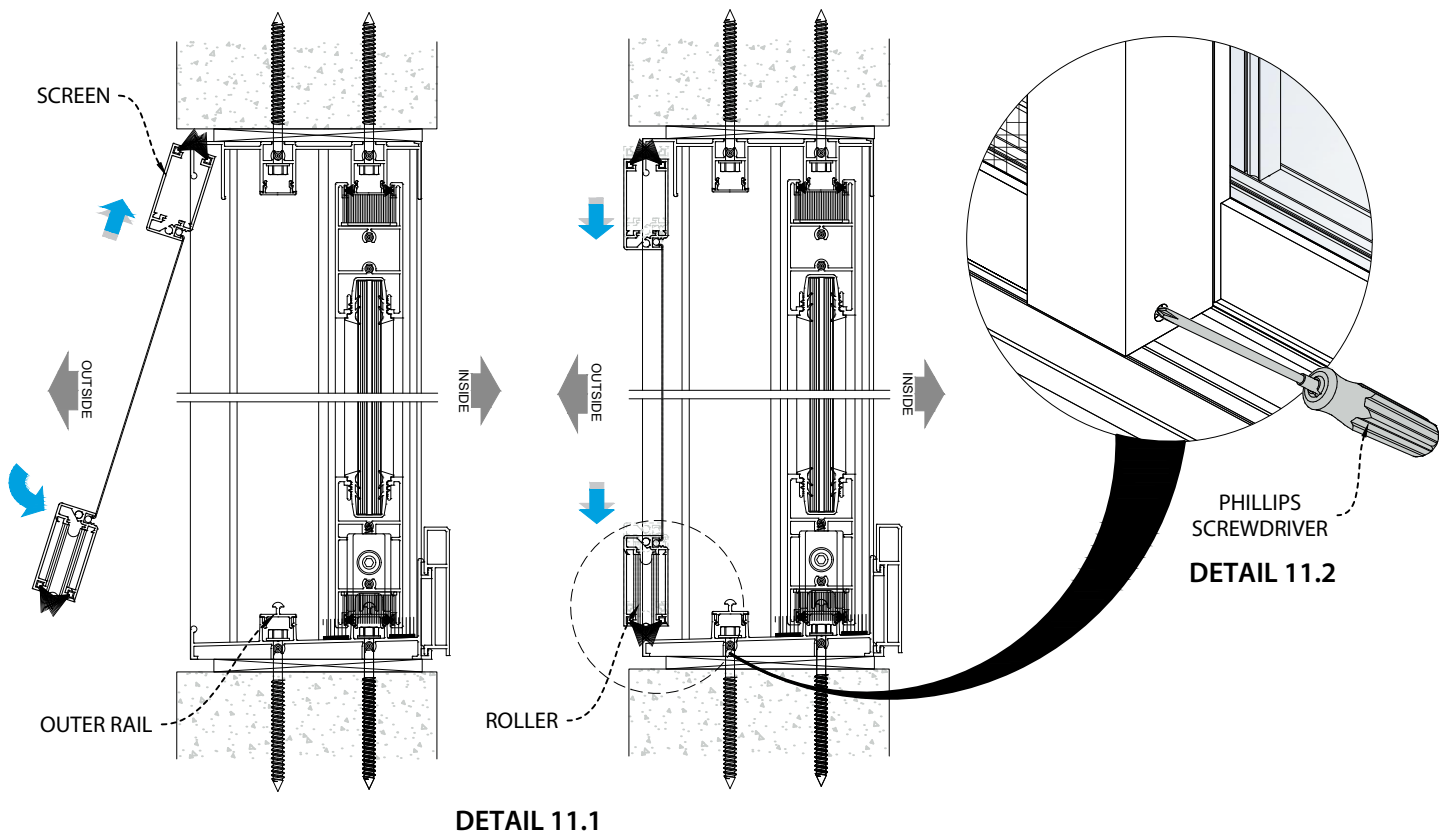
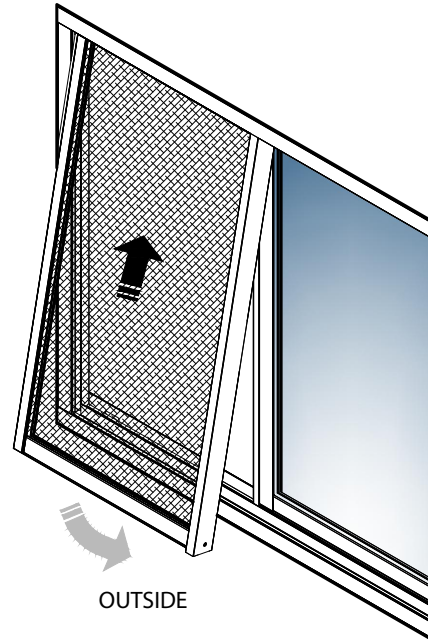


**!** Attach ES-A-018 fixed panel clip to interlock first, then attach it to head/sill.

# STEP 11

## SCREEN INSTALLATION:

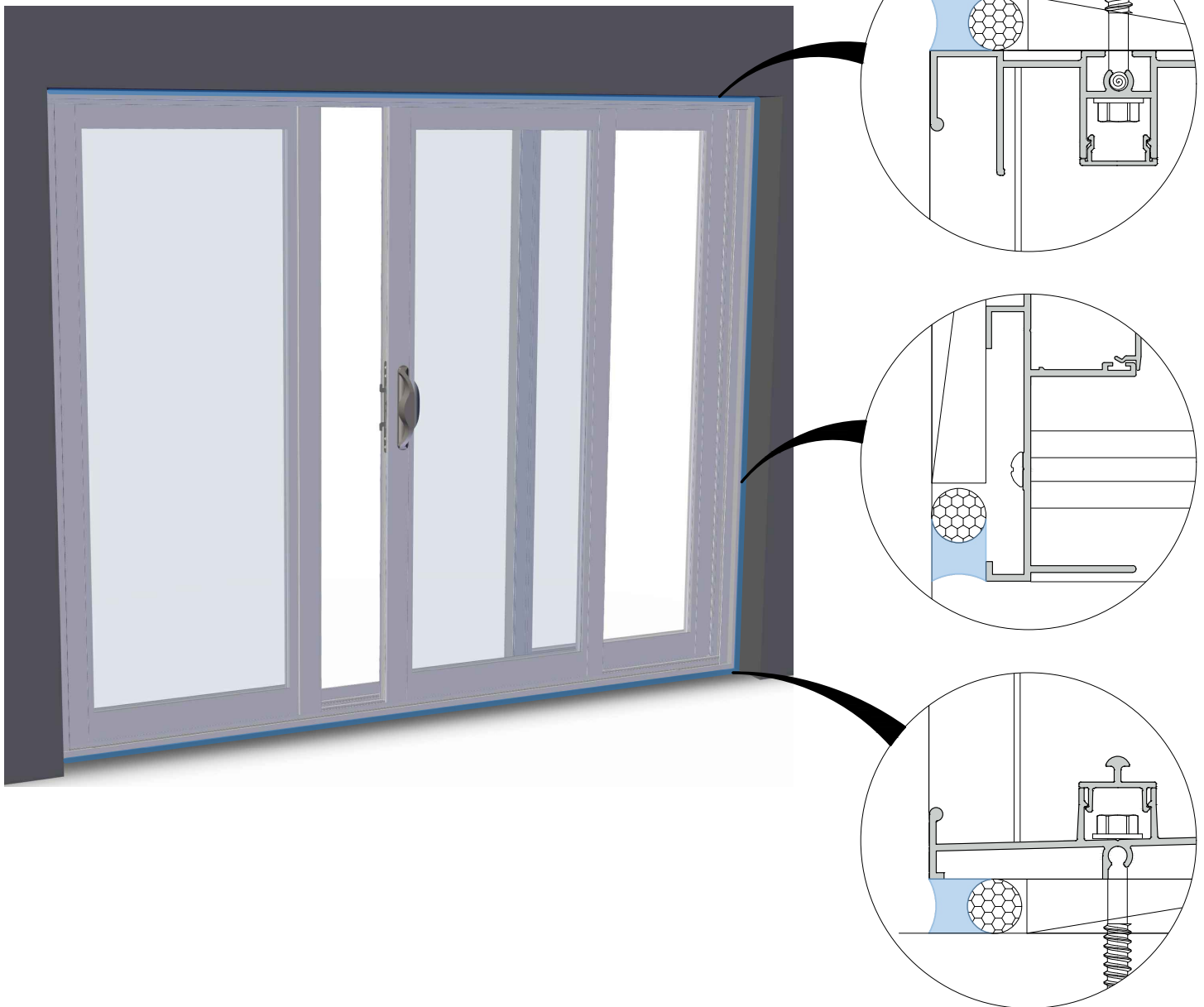
- 11.1. From the outside of the building install screen panel, make sure rollers are located on the outer rail, as shown in detail 11.1.
- 11.2. Adjust roller with the help of a screwdriver as shown in detail 11.2.















# STEP 12

## PERIMETER SEAL:













12.1. Insert backer rod and apply weatherproofing sealant along frame perimeter.



<b>REVISION No.</b>	<b>DATE</b>	<b>DESCRIPTION</b>	<b>BY.</b>	<b>PAGE.</b>
	FEBRUARY 23-2018	Steps for installation of adhesive pile pads and pocket jambs added	S.G	S.G
	MARCH 19-2019	Screens installation step added	E.S	23
	NOVEMBER 16-2018	SGD-1600 Bumper installation added.	E.S	16
	MARCH 19-2019	Intermediate fixed panel clip installation added.	E.S	22
	MARCH 19-2019	Crest II handle (mini crest handle) installation added.	D.L	20-21
	APRIL 11-2019	Dimension added to detail B from step 8 (Install Panels)	D.L	18
	AUGUST 21-2019	Cover updated; sill riser reference ES-EL400-018 was replaced for ES-SGD2020-008	E.S	15
	SEPTEMBER 21-2019	Adhesive pile pads installation updated, P6304AFK pile pad was replaced by D7509AMK, step 8 "Preparation of panels" was added.	E.S	13, 17
	SEPTEMBER 27-2019	Turn lever screw was updated: M4 x 0.7 x 40mm FH was replaced by #10x1/2" PH screw.	E.S	21
	MARCH 09-2020	Bumper installation details added.	A.G	17
	MARCH 10-2020	Scale correction for bumper installation details - the document was not modified.	A.G	
	MARCH 12-2020	Jamb pile pads distribution and configurations examples added; assembly screws updated; installation of covers updated; 6844.1 bumpers installation updated; sill risers options added;	E.S	6,7,11, 18,20



# INSTALLATION INSTRUCTIONS

<b>REVISION No.</b>	<b>DATE</b>	<b>DESCRIPTION</b>	<b>BY.</b>	<b>PAGE.</b>
 <b>14</b>	MAY 23-2020	Correction in leaders indicating head pile pad installation in head for the reference P6304AFK	A.G	13
 <b>15</b>	JANUARY 15-2021	Crest Slide handle installation details added.	E.S	24,25
 <b>16</b>	FEBRUARY 22-2021	Adhesive pile pads installation updated, D7509AMK pile pad was replaced by P6304AFK.	E.S	13
 <b>17</b>	MARCH 01-2021	Adhesive pile pads installation updated, additional P6304AFK pile pad added to head in astragals and interlocks.	E.S	13
 <b>18</b>	MAY 28 -2021	Added installation detail for ES-W625-F01 OC foam at outter weep holes of the sill	A.G	10
 <b>19</b>	JULY 23 -2021	Added silicone detail between sill riser and sill at the moment of installation	A.G	20
 <b>20</b>	MARCH 10 -2022	Added Note for roller adjustment	A.G	19
 <b>21</b>	APRIL 07 -2022	Step 8.5, screw cap installation was added.	E.S	19
 <b>22</b>	AUGUST 8-2022	Sliding panels installation note added	K.P	17
				
				
				

Av. Circunvalar a 100 mts de la Via 40 Las Flores  
Barranquilla, Colombia PBX: (57 5) 3664600  
service@eswllc.com, PBX: (+1) 305 5074545

BY Daniel Lopez.